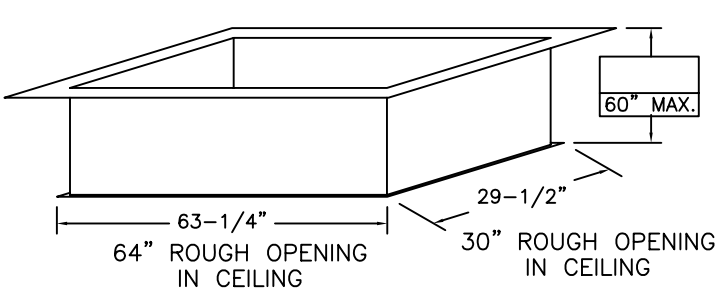


SUPER SIMPLEX DISAPPEARING STAIRWAY WITH DEEP BOX FRAME TO ROOF HATCH

(USE THIS DRAWING FOR CEILING HEIGHTS 9'-10" - 12'-0")

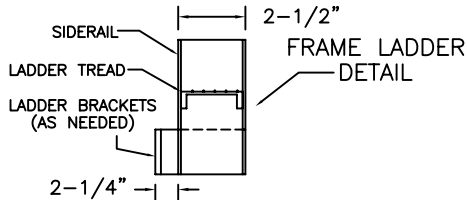
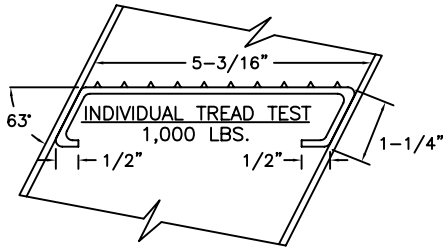
*** FIRE RATED UNITS ***
BEST IF UNIT IS INSTALLED BEFORE CEILING

FIVE INCH FLANGE
ALL AROUND TOP
ONE INCH FLANGE
ALL AROUND BOTTOM



SPECIAL DEEP BOX FRAME

1/8" STEEL, TO CONTAIN ALUMINUM SUPER SIMPLEX FOLDING STAIRWAY CUT FOR EXACT FINISHED CEILING HEIGHT. THIS FRAME, WITH FACTORY INSTALLED BUILT-IN TREADS, PROVIDES STEPS FROM THE DROPPED-CEILING LINE TO THE UPPER FLOOR.



NOTES

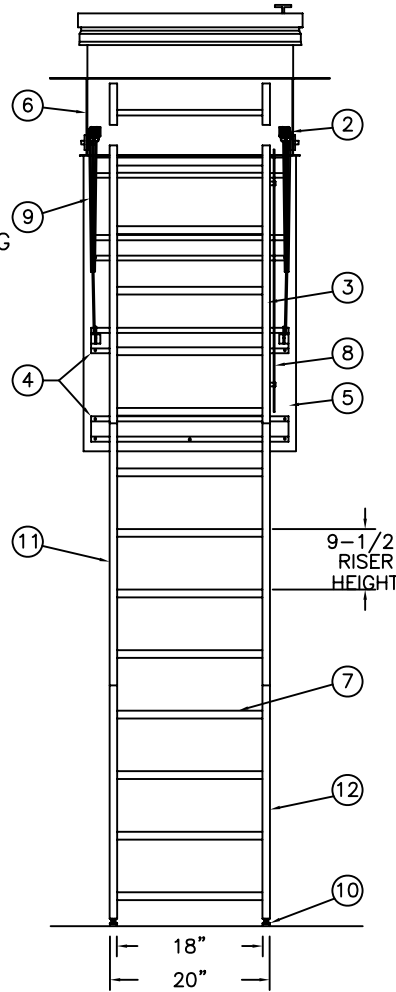
ROUGH OPENING WIDTHS FROM 22-1/2" MIN. TO 39" MAX., 30" IS STANDARD. CLEAR TREAD WIDTH WILL VARY ACCORDING TO FRAME WIDTH.

IF FLOOR ABOVE IS MORE THAN 12" ABOVE CEILING LINE, 63 DEGREE ANGLE FRAME IS RECOMMENDED.

DIMENSIONS ON THIS DRAWING PERTAIN ONLY TO CEILING HEIGHTS OVER 9'-9".

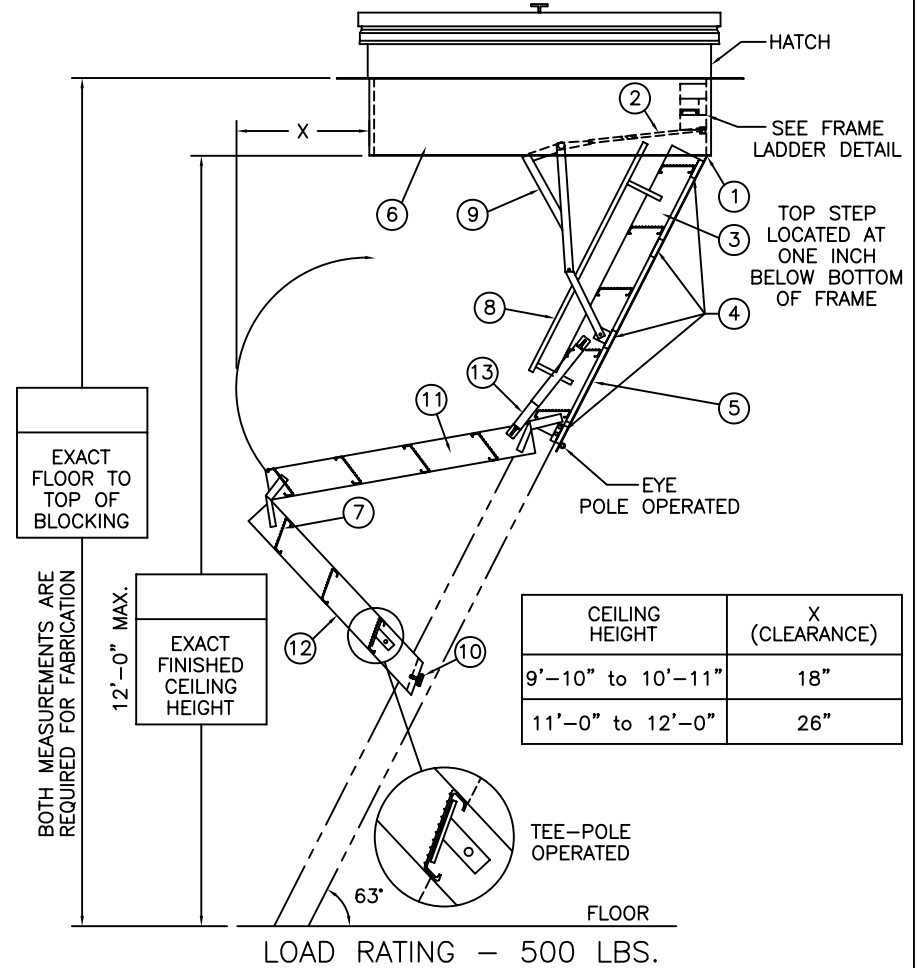
MANUFACTURER RECOMMENDS THAT 2 PEOPLE OPEN/CLOSE UNITS INSTALLED IN CEILINGS 11' & OVER.

SHIPS COMPLETELY ASSEMBLED AS ONE UNIT



OPTIONS

- 2 HOUR FIRE RATED ASSEMBLY
- LOCK ON DOOR PANEL



LADDER LEGEND

- 1. STEEL PIANO DOOR HINGE
- 2. DOUBLE SPRING ACTION
- 3. SIDE RUNNER 5" ALUM.
- 4. BATTEN 1/8" ALUM.
- 5. DOOR PANEL 1/8" ALUM.
- 6. STEEL BOX FRAME
- 7. TREAD (SERRATED ALUM.)
- 8. HANDRAIL ON RIGHT SIDE ONLY
- 9. EXTRA HEAVY OPERATING ARM
- 10. ADJUSTABLE FOOT
- 11. MIDDLE SECTION
- 12. BOTTOM SECTION
- 13. FOLD-ASSIST

NOT TO SCALE

S1144-BDH-30

Precision Ladders, LLC
P.O. BOX 2279 Morristown, TN 37816-2279
Ph: (423) 586-2265 Fax: (423) 586-2091
www.PrecisionLadders.com

WORK ORDER: ()	DWG. CHECK	ARCH'T OR ENG'R.	PROJECT		PRECISION REP
	BUILT BY:	PURCHASE ORDER	WORK ORDER	PURCHASER	SERIAL#
	CHECKED BY:	DRAWN BY: DNH	DATE 11/18/15	MODEL# S1	QTY.