

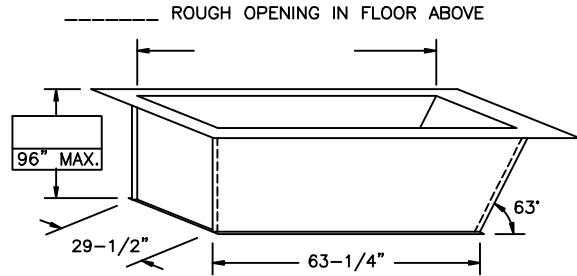
# SUPER SIMPLEX DISAPPEARING STAIRWAY WITH DEEP ANGLE FRAME TO HATCH

(USE THIS DRAWING FOR CEILING HEIGHTS 9'-10" - 12'-0")

NOTE: BEST IF STAIRWAY IS INSTALLED BEFORE ROOFING AND CEILING ARE IN PLACE

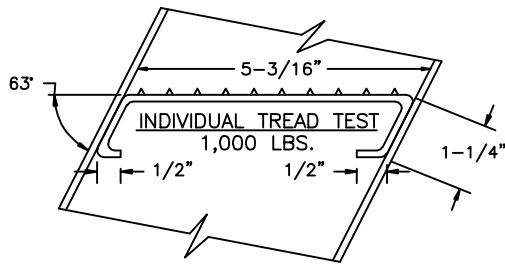
\*\*\* FIRE RATED UNITS \*\*\*  
BEST IF UNIT IS INSTALLED BEFORE CEILING

FIVE INCH FLANGE  
ALL AROUND TOP  
ONE INCH FLANGE  
ALL AROUND BOTTOM



30" x 64" REQUIRED  
ROUGH OPENING IN CEILING  
SPECIAL DEEP FRAME

1/8" STEEL, 63 DEGREE ANGLE ONE END, 90 DEGREE OTHER END, TO CONTAIN SUPER SIMPLEX FOLDING STAIRWAY CUT FOR EXACT FINISHED CEILING HEIGHT. THIS FRAME, WITH FACTORY INSTALLED BUILT-IN TREADS, PROVIDES STEPS FROM THE DROPPED-CEILING LINE TO THE UPPER FLOOR.



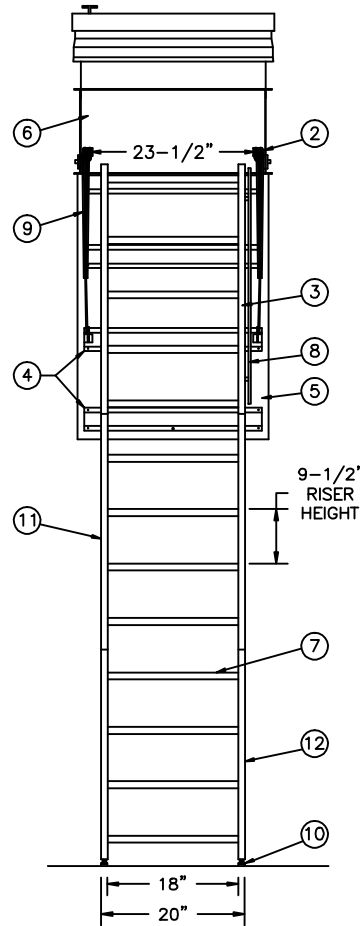
## NOTES

ROUGH OPENING WIDTHS FROM 22-1/2" MIN. TO 39" MAX., 30" IS STANDARD. CLEAR TREAD WIDTH WILL VARY ACCORDING TO FRAME WIDTH.

IF FLOOR ABOVE IS MORE THAN 12" ABOVE CEILING LINE, 63 DEGREE ANGLE FRAME IS RECOMMENDED.

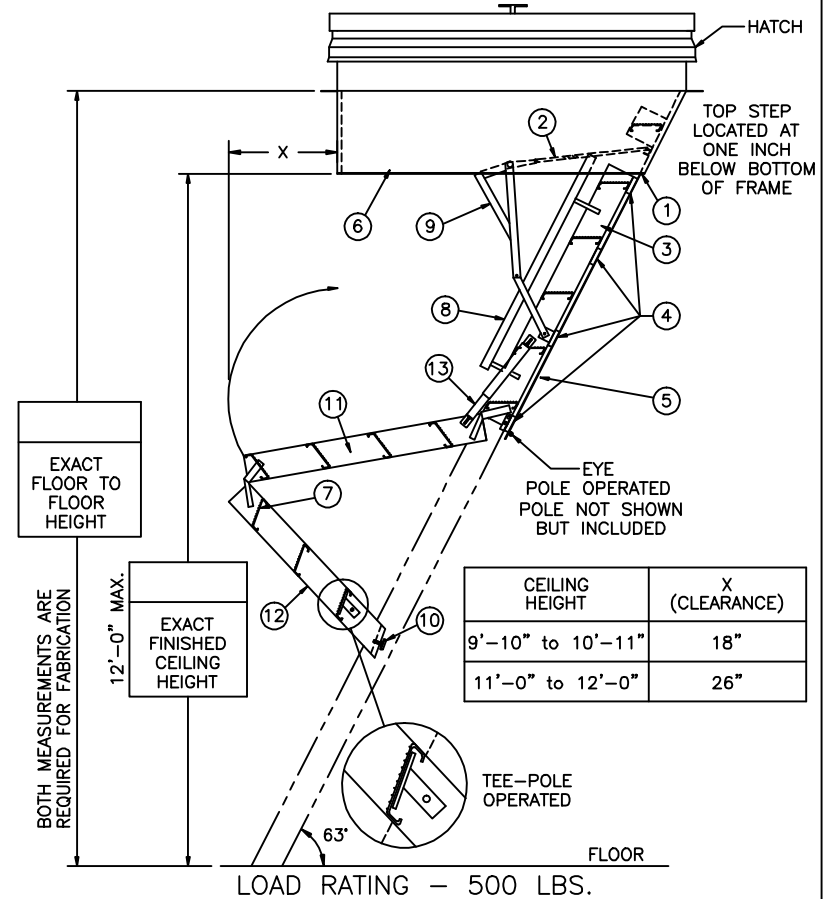
DIMENSIONS ON THIS DRAWING PERTAIN ONLY TO CEILING HEIGHTS OVER 9'-9".

SHIPS COMPLETELY ASSEMBLED AS ONE UNIT



## OPTIONS

- 2 HOUR FIRE RATED ASSEMBLY
- LOCK ON DOOR PANEL



CEILING HEIGHT	X (CLEARANCE)
9'-10" to 10'-11"	18"
11'-0" to 12'-0"	26"

## LADDER LEGEND

1. STEEL PIANO DOOR HINGE
2. DOUBLE SPRING ACTION
3. SIDE RUNNER 5" ALUM.
4. BATTEN 1/8" ALUM.
5. DOOR PANEL 1/8" ALUM.
6. STEEL ANGLE FRAME
7. TREAD (SERRATED ALUM.)
8. HANDRAIL RIGHT SIDE ONLY
9. EXTRA HEAVY OPERATING ARM
10. ADJUSTABLE FOOT
11. MIDDLE SECTION
12. BOTTOM SECTION
13. FOLD-ASSIST

NOT TO SCALE

S1144-AH-30



**Precision Ladders, LLC**  
P.O. BOX 2279 Morristown, TN 37816-2279  
Ph: (423) 586-2265 Fax: (423) 586-2091  
www.PrecisionLadders.com

WORK ORDER: ( )

DWG. CHECK

ARCHT OR ENGR.

PROJECT

PRECISION REP

BUILT BY:

PURCHASE ORDER

WORK ORDER

PURCHASER

SERIAL#

CHECKED BY:

DRAWN BY: DNH

DATE

MODEL#

QTY.

11/18/15

S1