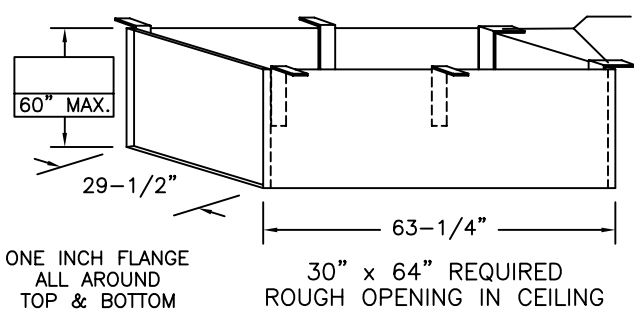
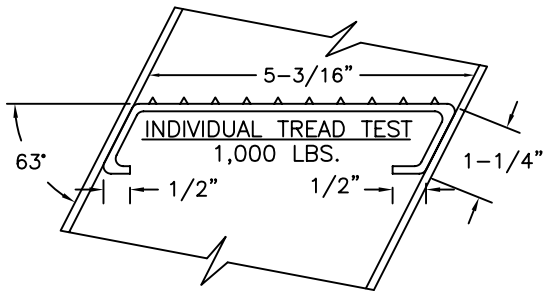


SUPER SIMPLEX DISAPPEARING STAIRWAY WITH STANDARD BOX FRAME

(USE THIS DRAWING FOR CEILING HEIGHTS BETWEEN 9'-10" TO 12'-0")



STANDARD BOX FRAME
 FABRICATED FROM 1/8" STEEL
 THIS DRAWING ACCOMMODATES FRAME DEPTHS FROM 6" TO 11".



NOTES

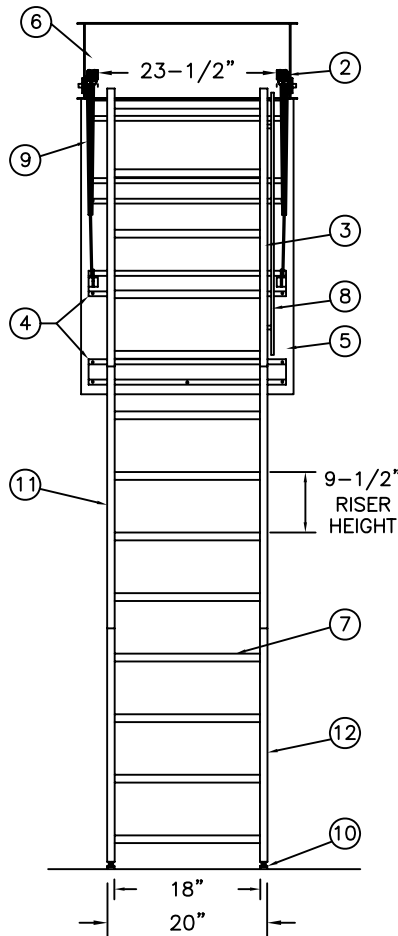
ROUGH OPENING WIDTHS FROM 22-1/2" MIN. TO 39" MAX., 30" IS STANDARD. CLEAR TREAD WIDTH WILL VARY ACCORDING TO FRAME WIDTH.

IF FLOOR ABOVE IS MORE THAN 12" ABOVE CEILING LINE, 63 DEGREE ANGLE FRAME IS RECOMMENDED.

DIMENSIONS ON THIS DRAWING PERTAIN ONLY TO CEILING HEIGHTS BETWEEN 9'-10" AND 12'-0" WITH LESS THAN A 12" FRAME.

SHIPS COMPLETELY ASSEMBLED AS ONE UNIT.

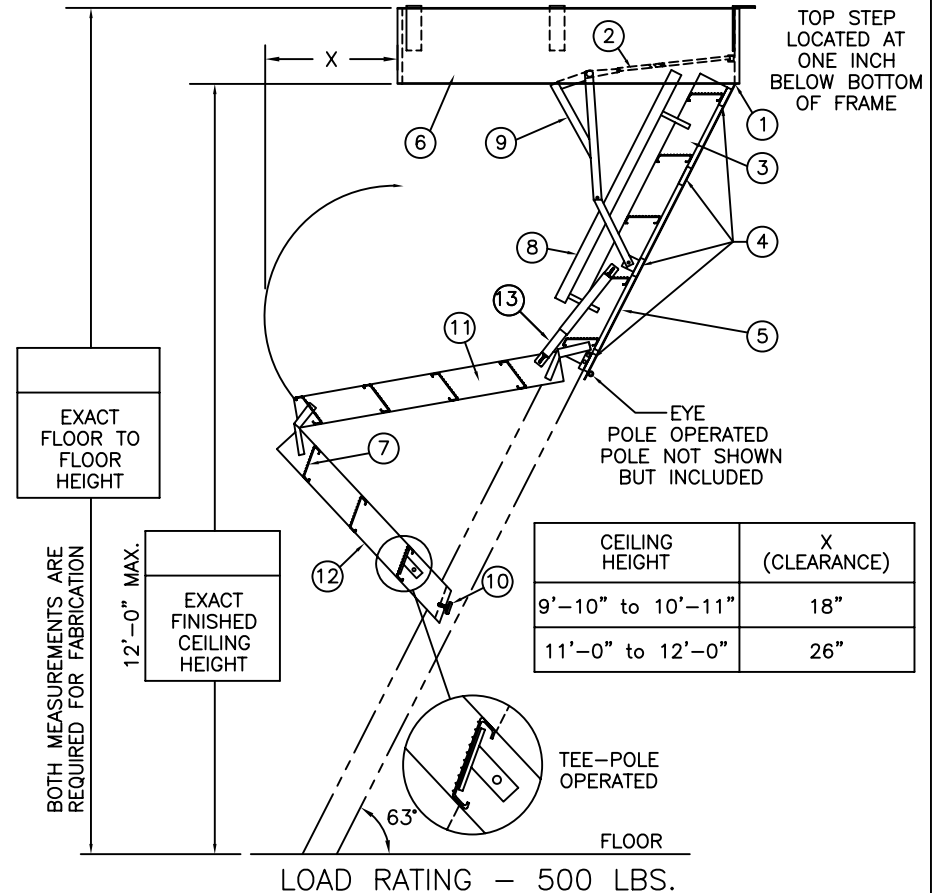
MANUFACTURER RECOMMENDS THAT 2 PEOPLE OPEN/CLOSE UNITS INSTALLED IN CEILINGS 11" AND OVER.



OPTIONS

- 2 HOUR FIRE RATED ASSEMBLY
- LOCK ON DOOR PANEL

***** FIRE RATED UNITS *****
 BEST IF UNIT IS INSTALLED BEFORE CEILING



LADDER LEGEND

- 1. STEEL PIANO DOOR HINGE
- 2. DOUBLE SPRING ACTION
- 3. SIDE RUNNER 5" ALUM.
- 4. BATTEN 1/8" ALUM.
- 5. DOOR PANEL 1/8" ALUM.
- 6. STEEL BOX FRAME
- 7. TREAD (SERRATED ALUM.)
- 8. HANDRAIL RIGHT SIDE ONLY
- 9. EXTRA HEAVY OPERATING ARM
- 10. ADJUSTABLE FOOT
- 11. MIDDLE SECTION
- 12. BOTTOM SECTION
- 13. FOLD-ASSIST

NOT TO SCALE

S1144-B-30

Precision Ladders, LLC
 P.O. BOX 2279 Morristown, TN 37816-2279
 Ph: (423) 586-2265 Fax: (423) 586-2091
 www.PrecisionLadders.com

WORK ORDER: ()	DWG. CHECK	ARCH'T OR ENG'R.	PROJECT		PRECISION REP
	BUILT BY:	PURCHASE ORDER	WORK ORDER	PURCHASER	SERIAL#
	CHECKED BY:	DRAWN BY: DNH	DATE: 11/18/15	MODEL#: S1	QTY.