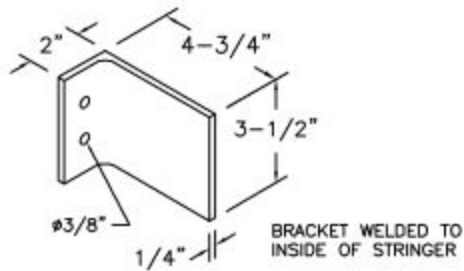
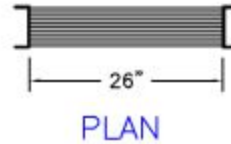


# ALUMINUM CROSSOVER SHIPS STAIR

## Ⓐ MOUNTING BRACKET (6005-T5)



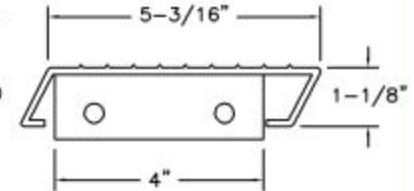
## FACTORY FINISH ALUMINUM-MILL FINISH



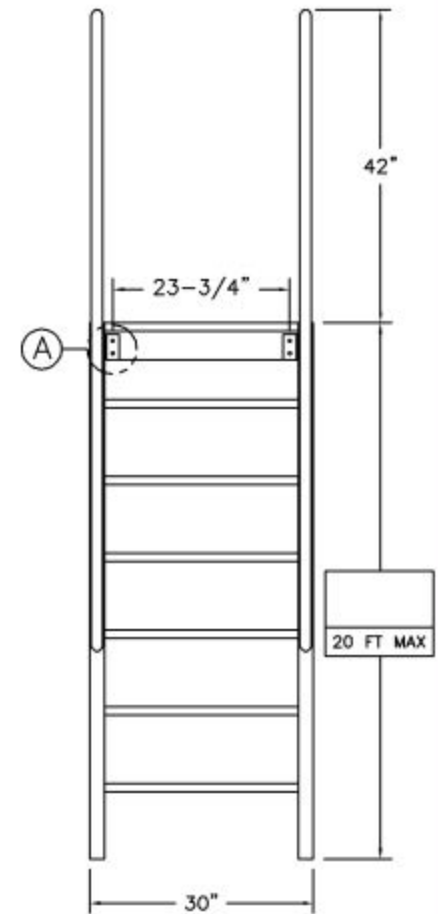
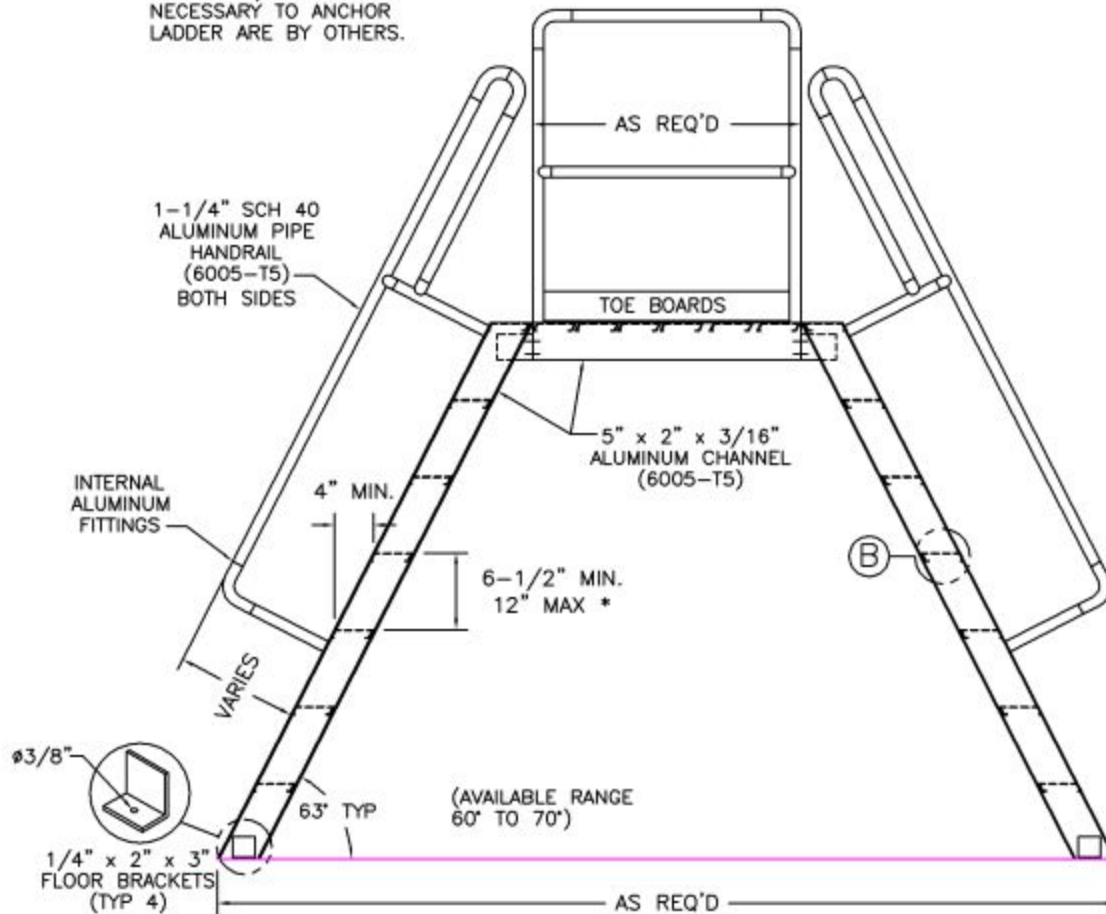
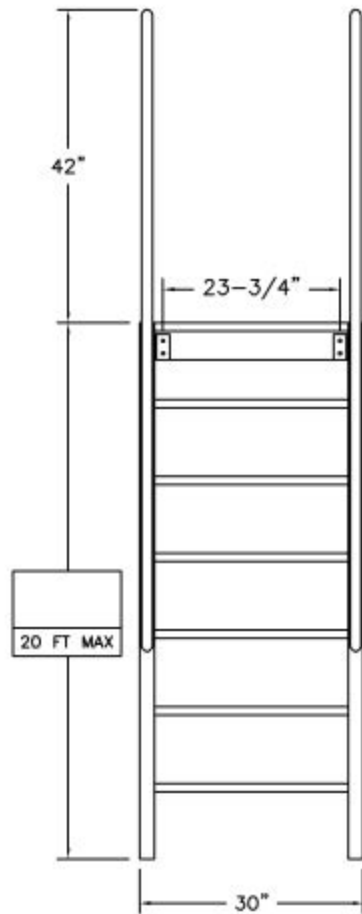
## Ⓑ ALUMINUM TREAD (6005-T5)

1-1/4" x 1-1/4" x 1/4"  
ANGLE WELDED TO TREAD

TREAD WELDED AND BOLTED  
TO STRINGER WITH 1/4"  
ROUND HEAD BOLTS



NOTE:  
ALL BOLTS/FASTENERS  
NECESSARY TO ANCHOR  
LADDER ARE BY OTHERS.



SL-03

**Precision Ladders, LLC**  
 P.O. BOX 2279 Morristown, TN 37816-2279  
 Ph: (423) 586-2265 Fax: (423) 586-2091  
 www.PrecisionLadders.com

WORK ORDER ( )	DWG. CHECK	ARCHT OR ENGR.	PROJECT		PRECISION REP
	BUILT BY:	PURCHASE ORDER	WORK ORDER	PURCHASER	SERIAL#
	CHECKED BY:	DRAWN BY: DNH	DATE: 3/27/17	MODEL#	QTY.
			SL-		