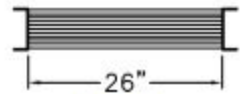
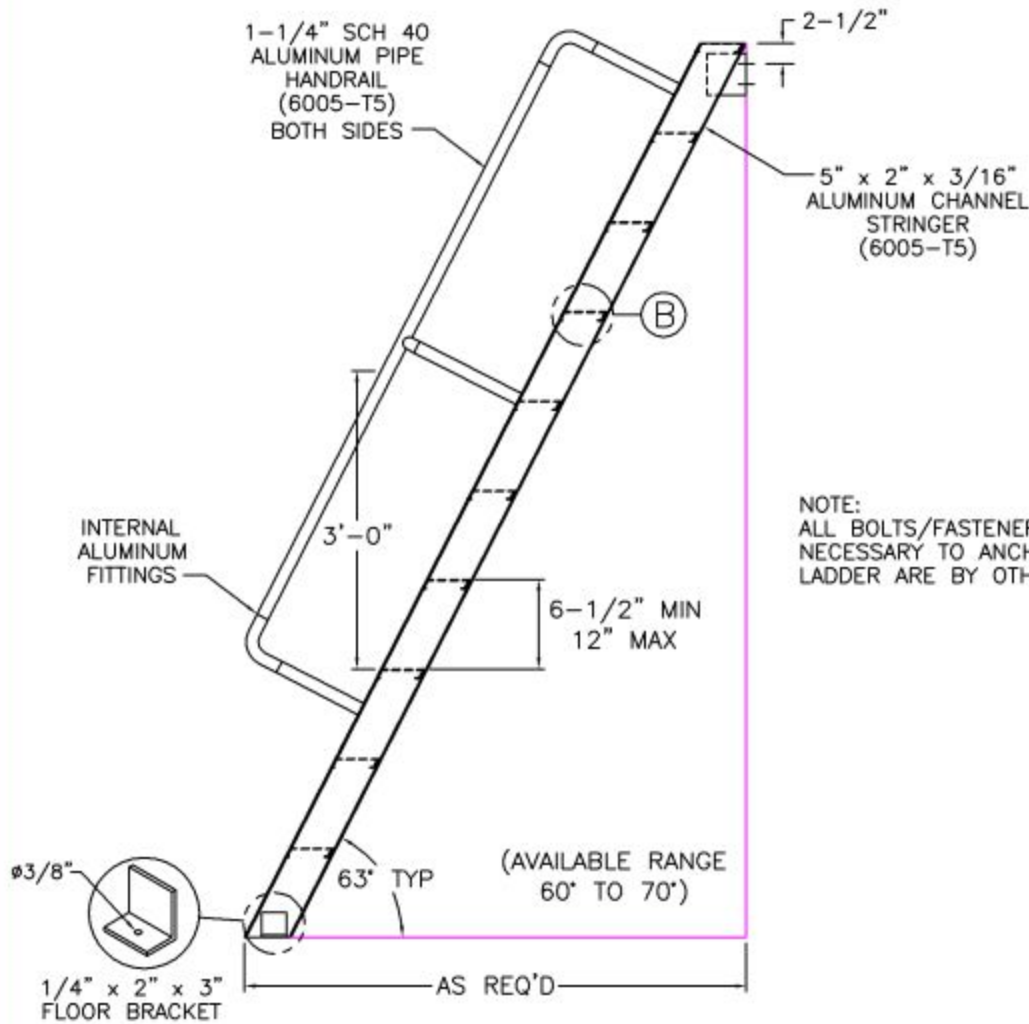


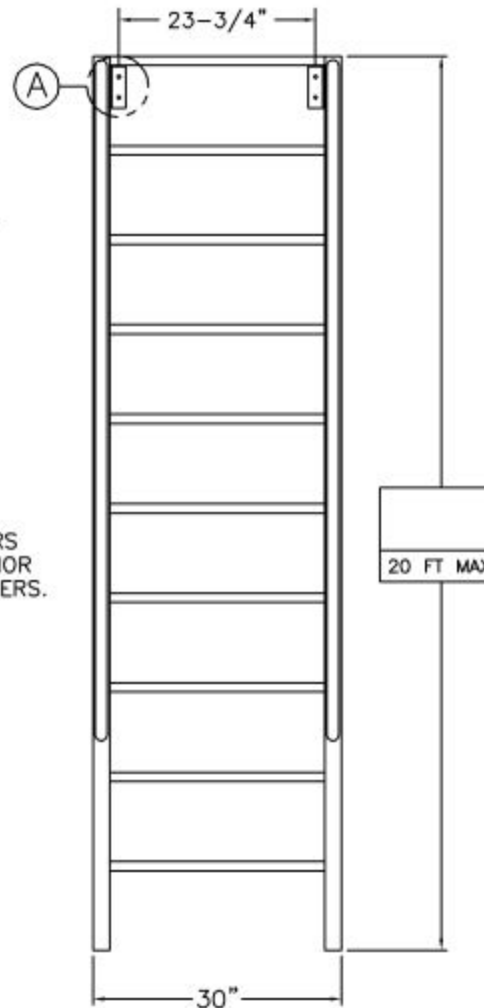
ALUMINUM SHIPS STAIR TO ROOF HATCH



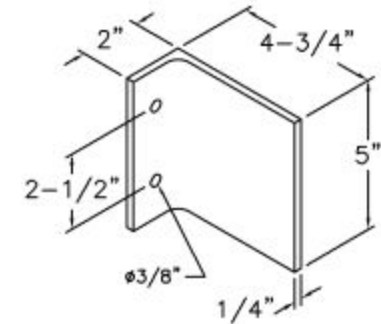
PLAN



NOTE:
ALL BOLTS/FASTENERS
NECESSARY TO ANCHOR
LADDER ARE BY OTHERS.

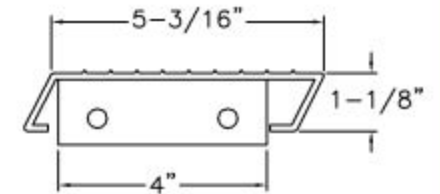


Ⓐ MOUNTING BRACKET (6005-T5)



BRACKET WELDED TO
INSIDE OF STRINGER

Ⓑ ALUMINUM TREAD (6005-T5)



1-1/4" x 1-1/4" x 1/4"
ANGLE WELDED TO TREAD

TREAD WELDED AND BOLTED
TO STRINGER WITH 1/4"
ROUND HEAD BOLTS

FACTORY FINISH
ALUMINUM-MILL FINISH

SL-01

OSHA 1910.25

Precision Ladders, LLC
P.O. BOX 2279 Morristown, TN 37816-2279
Ph: (423) 586-2265 Fax: (423) 586-2091
www.PrecisionLadders.com

| | | | | | |
|-----------------|----------------|----------------|------------|-----------|---------------|
| WORK ORDER: () | DWG. CHECK | ARCHT OR ENGR. | PROJECT | | PRECISION REP |
| BUILT BY: | PURCHASE ORDER | DATE | WORK ORDER | PURCHASER | SERIAL# |
| CHECKED BY: | DRAWN BY: DNH | DATE: 3/8/17 | MODEL# | SL- | QTY. |