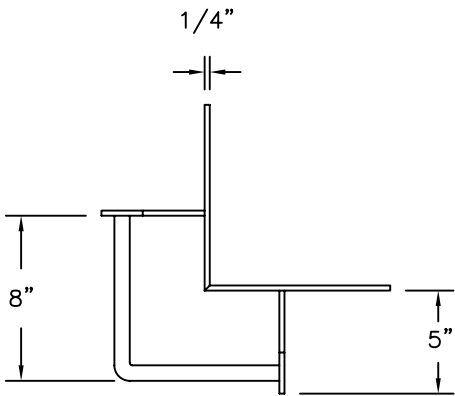


PRECISION SAFETY HANDRAIL

(FOR ACCESS IN AND OUT OF ROOF HATCH)



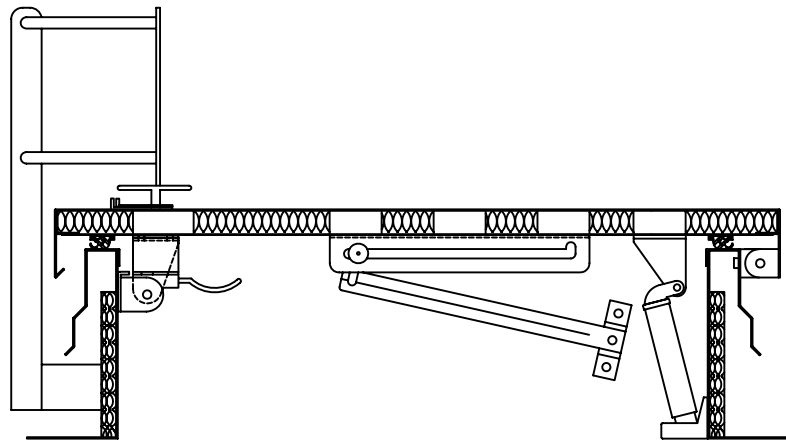
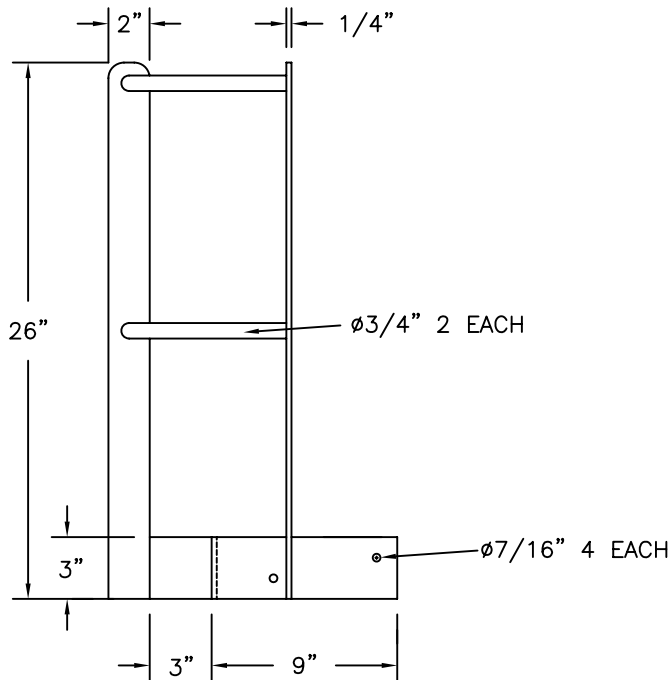
PLAN

CAN BE MOUNTED TO LEFT OR
RIGHT CORNER OF HATCH

ONE PIECE WELDED CONSTRUCTION

(2) 7"x3" INTERIOR REINFORCING PLATES

(4) 3/8"x2 1/2" STEEL BOLTS, LOCK WASHERS AND NUTS



HATCH NOT INCLUDED

FACTORY FINISH

HOT ROLL STEEL-SAFETY YELLOW POWDER COATED

SCALE

SAL

 Precision Ladders, LLC
P.O. BOX 2279 Morristown, TN 37816-2279
Ph: (423) 586-2265 Fax: (423) 586-2091
www.PrecisionLadders.com

WORK ORDER: <input checked="" type="checkbox"/>	DWG. CHECK	ARCH'T OR ENG'R.	PROJECT		PRECISION REP
	BUILT BY:	PURCHASE ORDER	DATE 11/24/15	PURCHASER	SERIAL#
	CHECKED BY:	DRAWN BY: DNH	DATE	MODEL#	QTY.