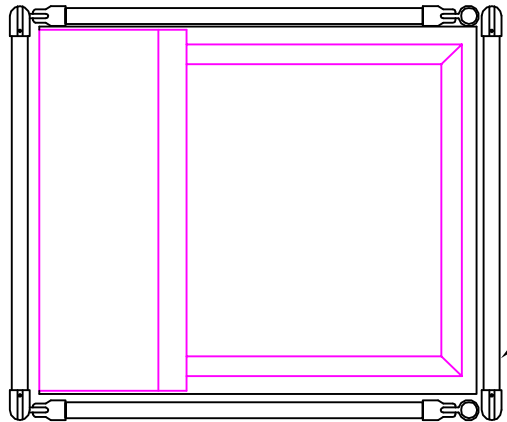
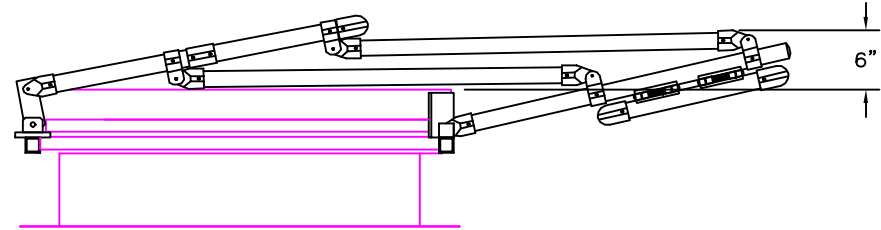


# ALUMINUM FOLDING GUARD RAIL SYSTEM FOR ROOF HATCH



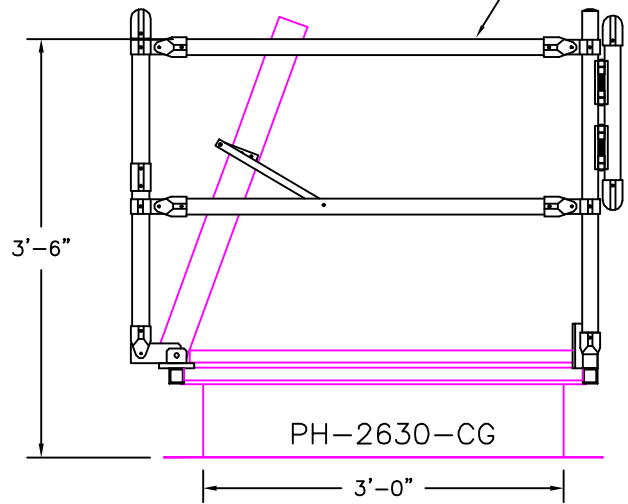
SELF-CLOSING GATE



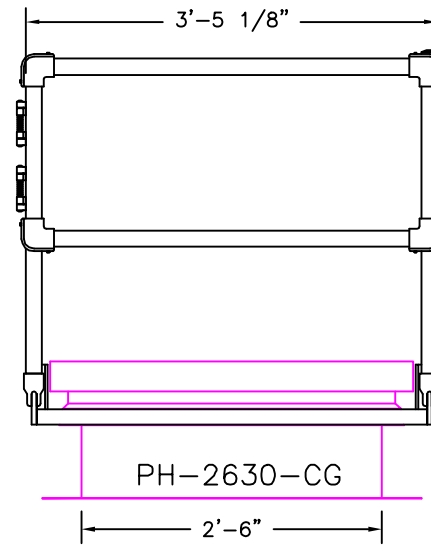
SIDE VIEW  
(CLOSED POSITION)

OSHA GUIDELINE:  
THIS HANDRAIL SYSTEM HAS  
BEEN TESTED TO WITHSTAND  
200# LOADING IN ANY  
DIRECTION.

1-1/4" SCH 40  
ALUMINUM PIPE  
HANDRAILS  
(6005-T5)



PH-2630-CG



PH-2630-CG

**FACTORY FINISH  
ALUMINUM-MILL FINISH**

WORK ORDER: ( )	DWG. CHECK	ARCH'T OR ENG'R.	PROJECT		PRECISION REP
	BUILT BY:	PURCHASE ORDER	WORK ORDER	PURCHASER	SERIAL#
	CHECKED BY:	DRAWN BY: DNH	DATE 12/9/19	MODEL# PH-2630-CG	QTY.