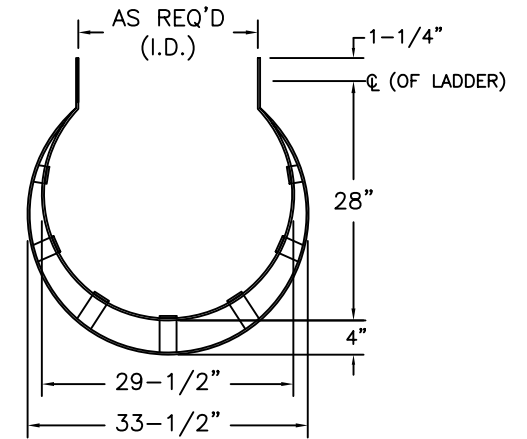
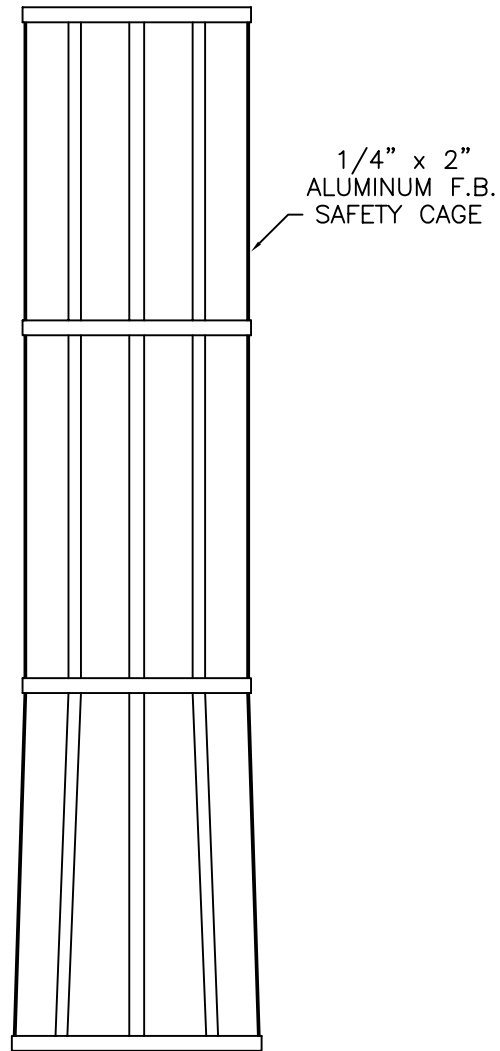
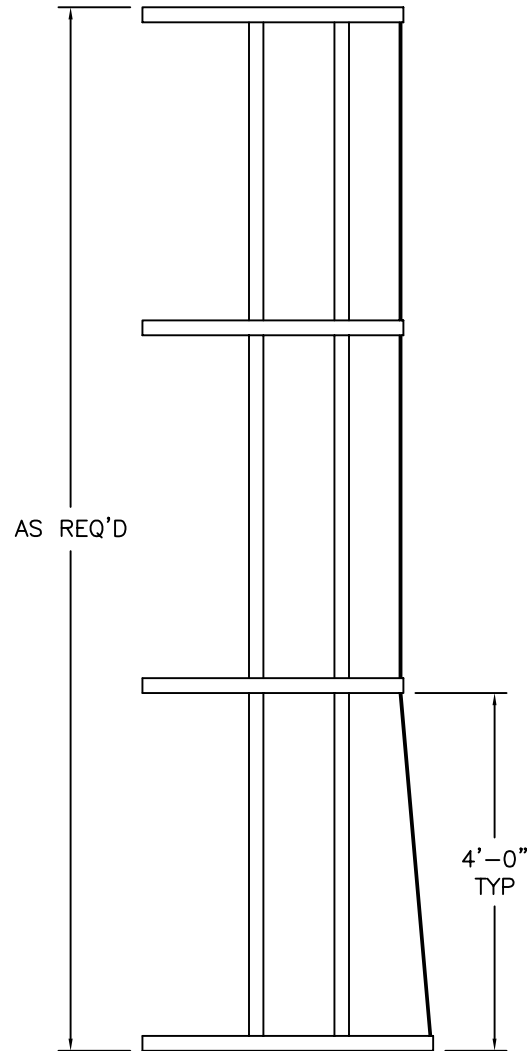


SAFETY CAGE FOR EXISTING LADDER

NOTE:
PLEASE ADVISE WIDTH
OF LADDER (OUT TO OUT)



PLAN

NOTE:
ALL BOLTS/FASTENERS
NECESSARY TO ANCHOR
CAGE ARE BY OTHERS.

FACTORY FINISH
ALUMINUM-MILL FINISH

CAGE

WORK ORDER ()	DWG. CHECK	ARCHT OR ENG'R.	PROJECT		PRECISION REP
	BUILT BY:	PURCHASE ORDER	WORK ORDER	PURCHASER	SERIAL#
	CHECKED BY:	DRAWN BY: DNH	DATE 01/20/15	MODEL# SC-	QTY.