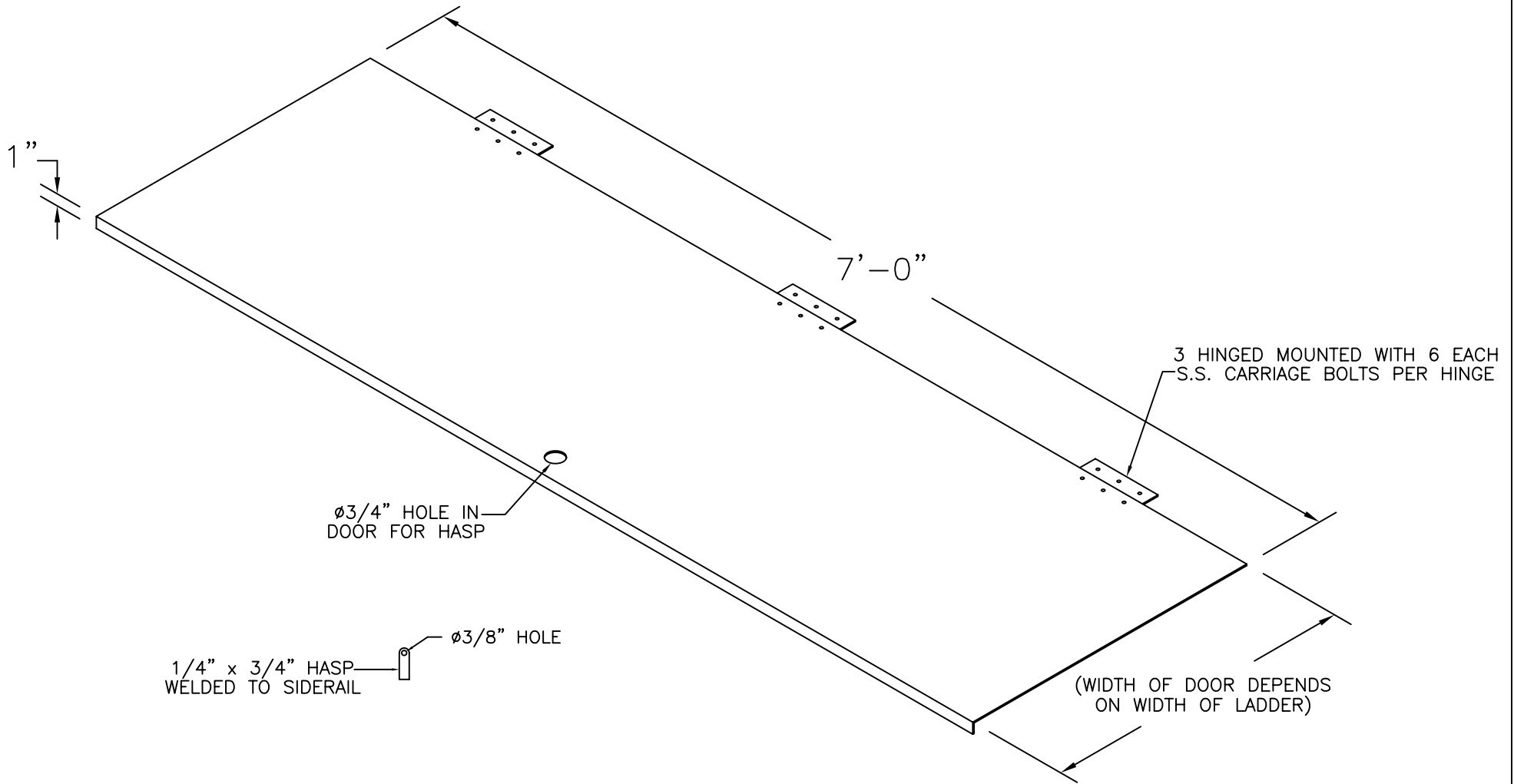


# ALUMINUM SECURITY DOOR

1/8" thick ALUMINUM




STANDARD-HINGED ON LEFT SIDE

FACTORY FINISH  
ALUMINUM-MILL FINISH

NOT TO SCALE

SD-01

 <b>Precision Ladders, LLC</b> P.O. BOX 2279 Morristown, TN 37816-2279 Ph: (423) 586-2265 Fax: (423) 586-2091 www.PrecisionLadders.com	DWG. CHECK	ARCH'T OR ENG'R.	PROJECT			PRECISION REP
	BUILT BY:	PURCHASE ORDER	REVISION	PURCHASER		SERIAL#
	CHECKED BY:	DRAWN BY: DNH	DATE 10/8/15	MODEL# SECURITY DOOR	QTY.	