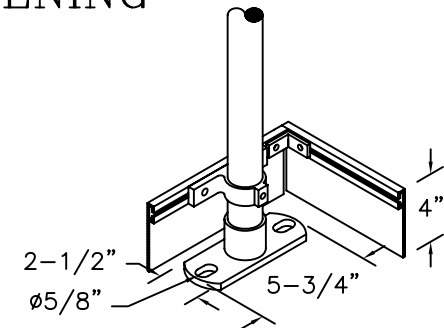


# GUARDRAILS TO ENCLOSE FLOOR OPENING

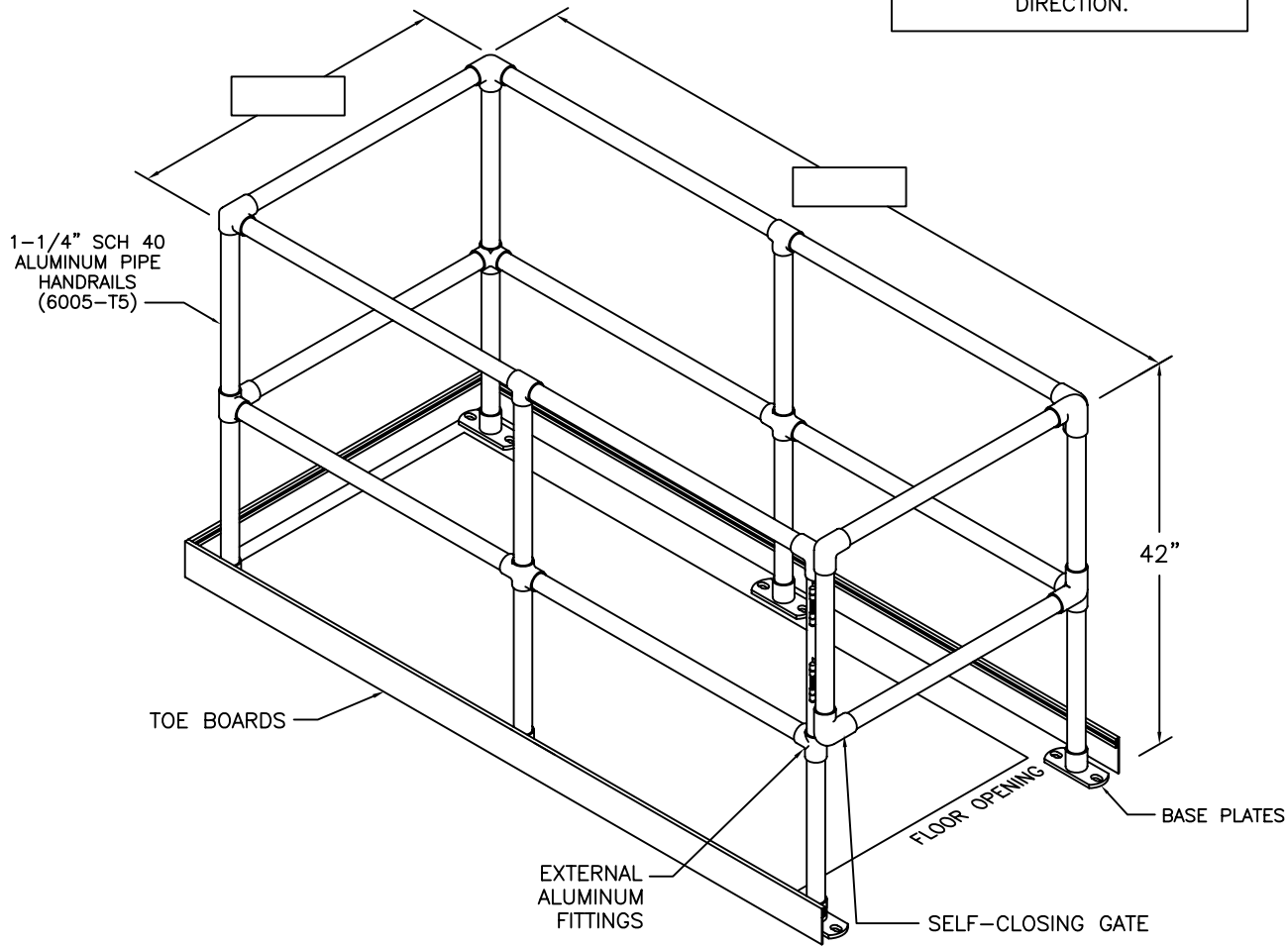
OSHA GUIDELINE:  
THIS HANDRAIL SYSTEM HAS  
BEEN TESTED TO WITHSTAND  
200# LOADING IN ANY  
DIRECTION.



**BASE PLATE &  
TOE BOARD DETAIL**  
HANDRAIL CAN BE FLOOR MOUNTED  
w/ BASE PLATES OR CAN BE  
MOUNTED TO FRAME.


NOTE:  
ALL BOLTS/FASTENERS  
NECESSARY TO ANCHOR  
LADDER ARE BY OTHERS.

**FACTORY FINISH  
ALUMINUM-MILL FINISH**



SCALE

AGRS-F

 <b>Precision Ladders, LLC</b> P.O. BOX 2279 Morristown, TN 37816-2279 Ph: (423) 586-2265 Fax: (423) 586-2091 www.PrecisionLadders.com	DWG. CHECK WORK ORDER: <input checked="" type="checkbox"/>	ARCH'T OR ENG'R.	PROJECT		PRECISION REP
	BUILT BY:	PURCHASE ORDER	DATE 11/18/15	PURCHASER	
	CHECKED BY:	DRAWN BY: DNH	DATE	MODEL#	QTY.
					SERIAL#