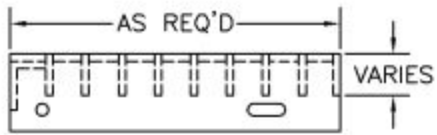


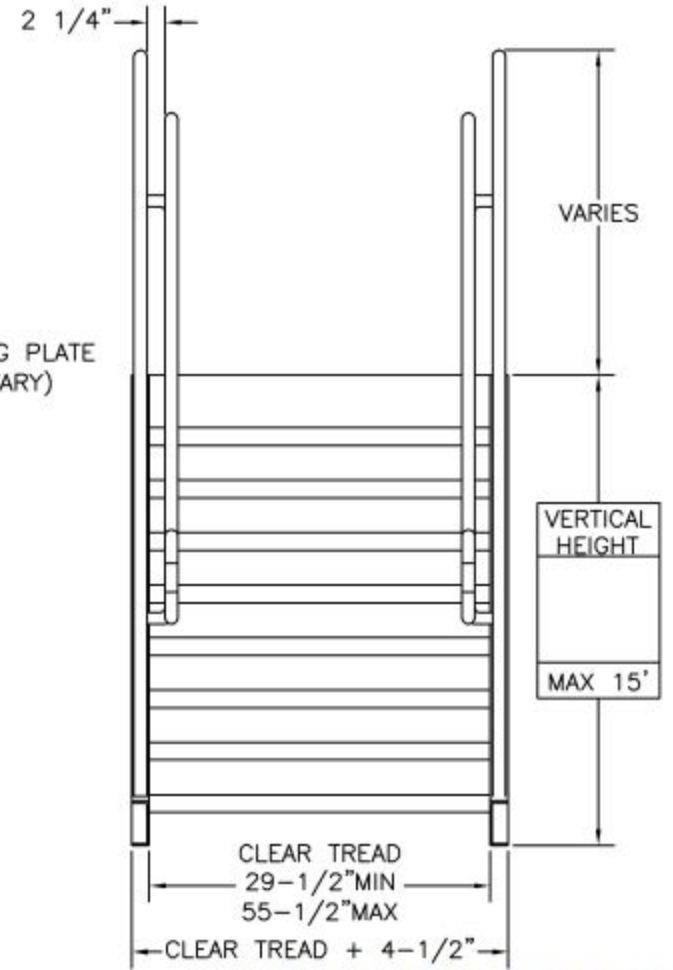
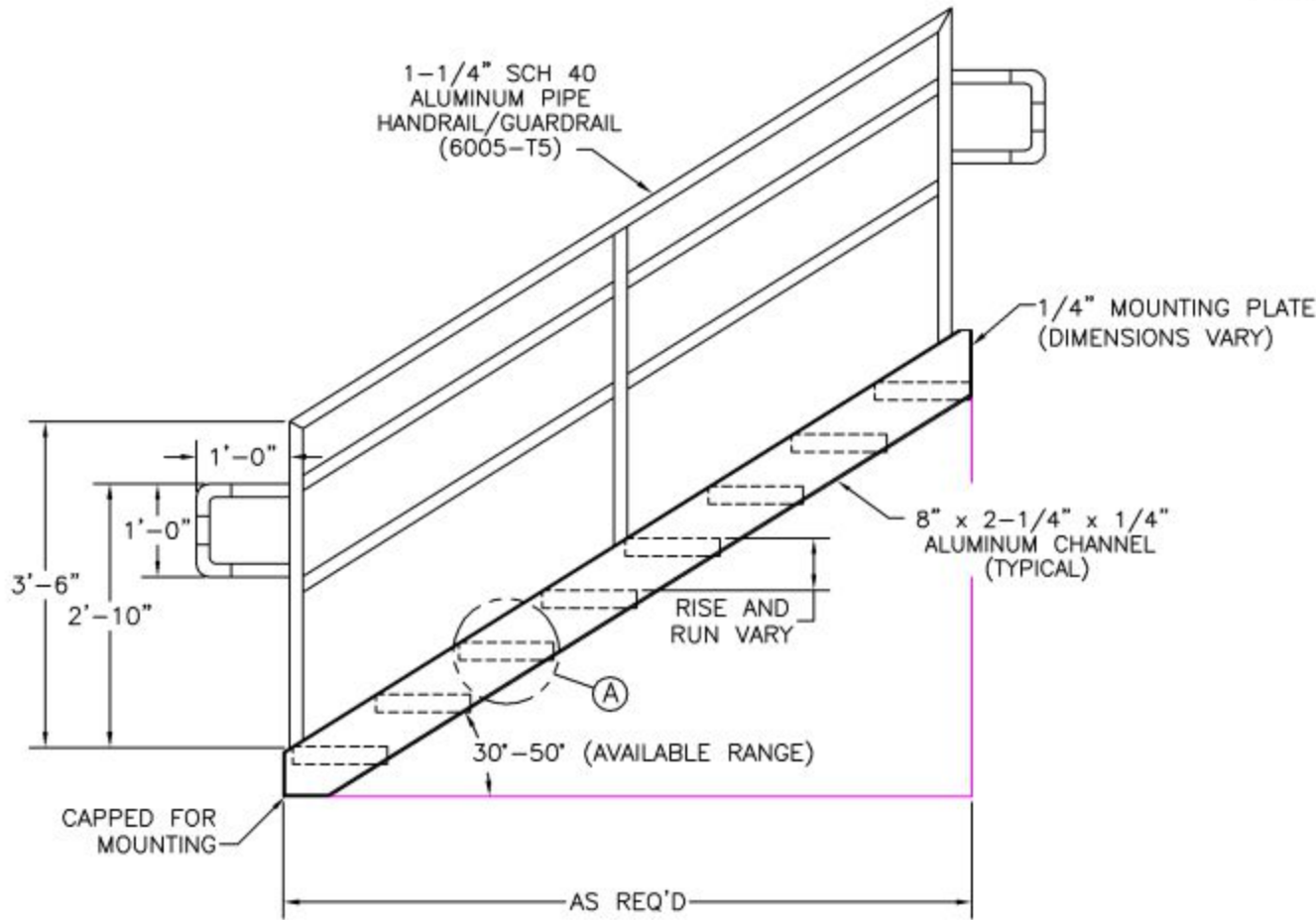
# INDUSTRIAL STAIRWAY

## BAR GRATING TREAD (GROOVED NOSING)



TREAD WELDED AND BOLTED TO STRINGER WITH 3/8" HEX HEAD BOLTS

NOTE:  
ALL BOLTS/FASTENERS NECESSARY TO ANCHOR STAIRWAY ARE BY OTHERS.



FACTORY FINISH  
ALUMINUM-MILL FINISH

OSHA 1910.25 & 29

 Precision Ladders, LLC  
P.O. BOX 2279 Morristown, TN 37816-2279  
Ph: (423) 586-2265 Fax: (423) 586-2091  
www.PrecisionLadders.com

DWG. CHECK	ARCHT OR ENGR.	PROJECT		PRECISION REP
BUILT BY:	PURCHASE ORDER	WORK ORDER	PURCHASER	SERIAL#
CHECKED BY:	DRAWN BY: DNH	DATE: 3/23/17	MODEL#	QTY.
		PS-		