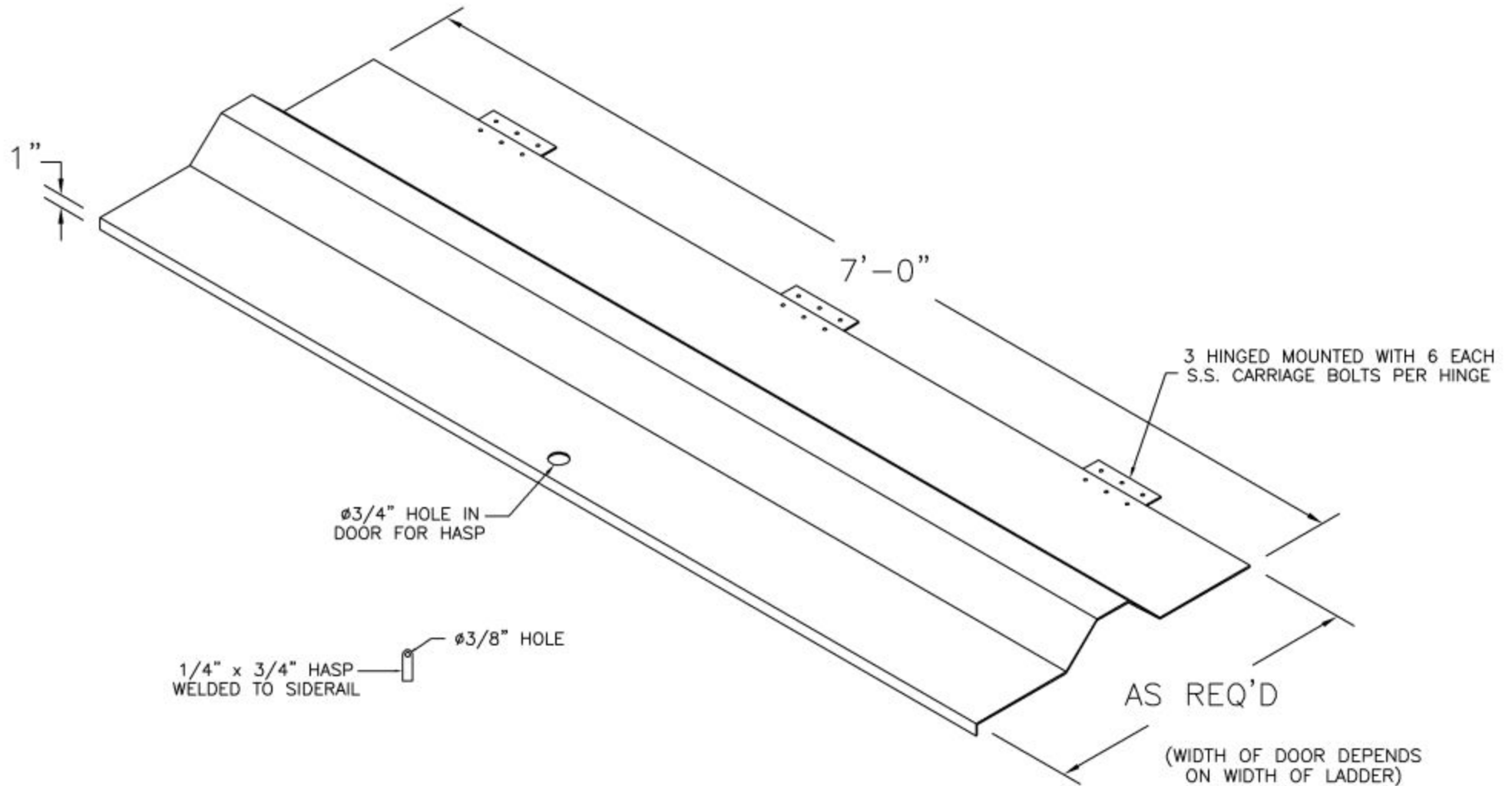


ALUMINUM SECURITY DOOR FOR FALL ARREST SYSTEM

1/8" thick ALUMINUM




STANDARD-HINGED ON LEFT SIDE

FACTORY FINISH
ALUMINUM-MILL FINISH

NOT TO SCALE

SD-01-FAS

 <p>Precision Ladders, LLC P.O. BOX 2279 Morristown, TN 37816-2279 Ph: (423) 586-2265 Fax: (423) 586-2091 www.PrecisionLadders.com</p>	DWG. CHECK BUILT BY:	ARCHT OR ENG'R. PURCHASE ORDER	PROJECT REVISION		PRECISION REP SERIAL#
	CHECKED BY:	DRAWN BY:	DATE	PURCHASER MODEL#	QTY.
		DNH	3/14/19	SECURITY DOOR	