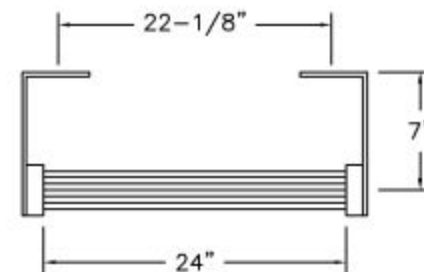
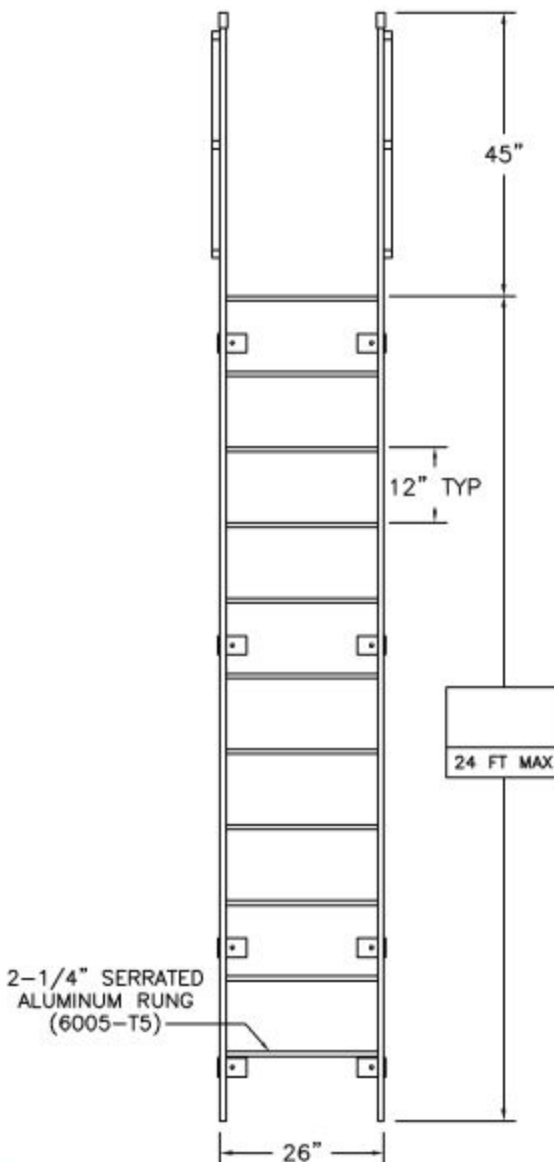
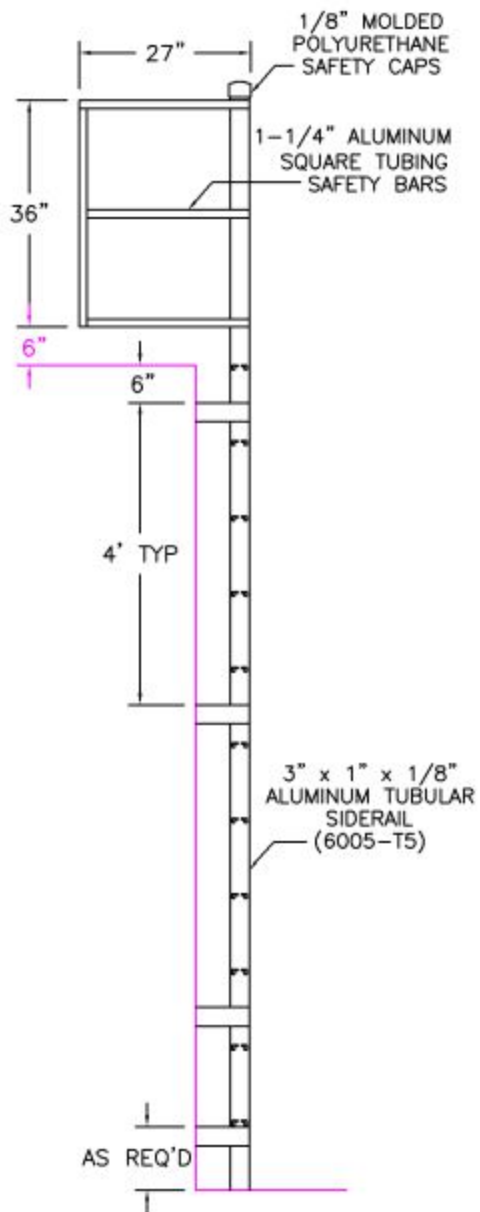
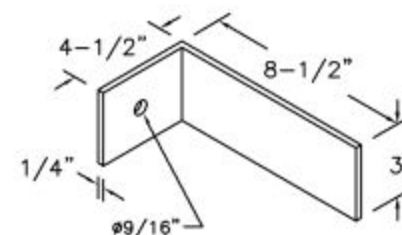


TUBULAR FIXED LADDER w/WALK-THRU



PLAN
(SAFETY BARS OMITTED FOR CLARITY)



BRACKET DETAIL

NOTE:
ALL BOLTS/FASTENERS
NECESSARY TO ANCHOR
LADDER ARE BY OTHERS.

FACTORY FINISH
ALUMINUM-MILL FINISH

FLH-04

LADDERS MANUFACTURED BY PRECISION LADDERS, LLC
COMPLY WITH OSHA 1910.23 AND ANSI 14.3

INDIVIDUAL RUNG TESTED AT
3,000 LBS WITHOUT FAIL

LADDER RATED AT 1,500 LBS

Precision Ladders, LLC
P.O. BOX 2279 Morristown, TN 37816-2279
Ph: (423) 586-2265 Fax: (423) 586-2091
www.PrecisionLadders.com

DWG. CHECK BUILT BY: CHECKED BY:	ARCH'T OR ENG'R. PURCHASE ORDER DRAWN BY:	PROJECT REVISION DATE	PURCHASER MODEL# QTY.	PRECISION REP SERIAL#
	DNH	4/4/17	FLH-	