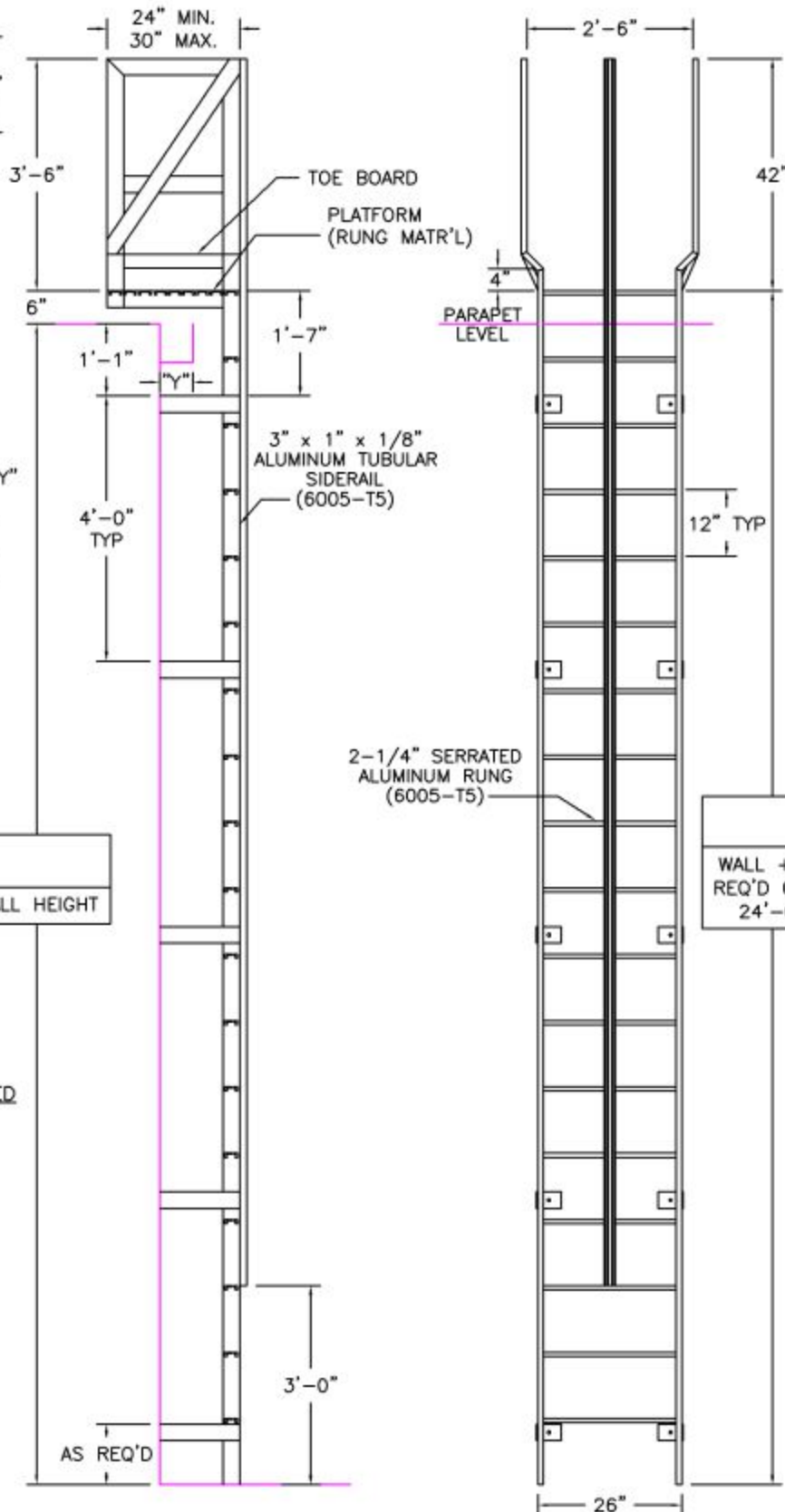
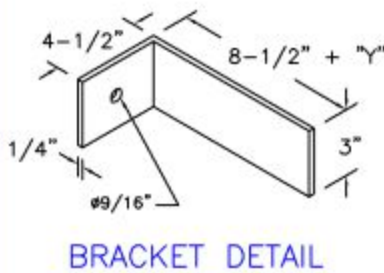
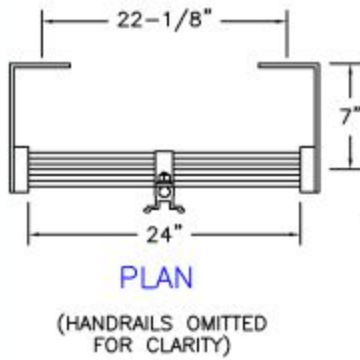


TUBULAR LADDER w/CANTILEVER PLATFORM & FALL ARREST SYSTEM

FLH-14-FAS



FAS INCLUDED PARTS

- CARRIER RAIL
- RUNG CLAMPS
- (2) LOCKING TROLLEYS
- SPLICE KIT (AS REQ'D)

ITEMS REQ'D BUT NOT INCLUDED

- (1) FULL BODY HARNESS WITH D-RING PER CLIMBER

NOTE:
ALL BOLTS/FASTENERS NECESSARY TO ANCHOR LADDER ARE BY OTHERS.

**FACTORY FINISH
ALUMINUM-MILL FINISH**

LADDER RATED AT 1,500 LBS

INDIVIDUAL RUNG TESTED AT 3,000 LBS WITHOUT FAIL

LADDERS MANUFACTURED BY PRECISION LADDERS, LLC
COMPLY WITH OSHA 1910 SUBPART D AND ANSI 14.3

PRECISION REP		SERIAL#	
DATE	PURCHASER	DATE	QTY.
2/21/19			
ARCHT OR ENGR.		FLH--	
PURCHASE ORDER		DNH	
DRAWN BY:		DNH	
DWG. CHECK			
BUILT BY:			
CHECKED BY:			
Precision Ladders, LLC P.O. BOX 2279 Morristown, TN 37816-2279 Ph: (423) 586-2265 Fax: (423) 586-2091 www.PrecisionLadders.com			

