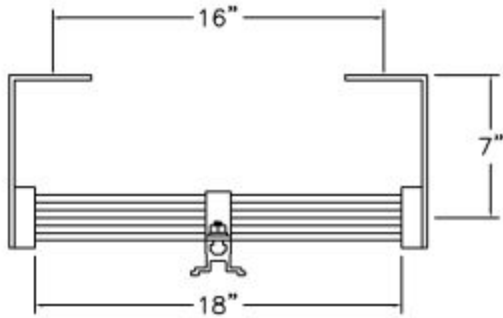
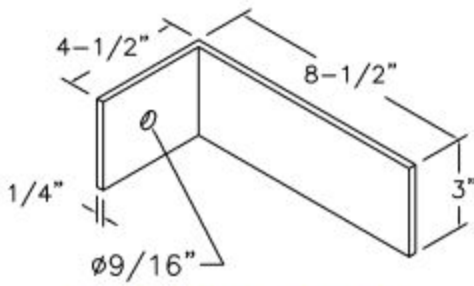


TUBULAR FIXED LADDER w/OVERSHOOT & FALL ARREST SYSTEM

FLH-13-FAS



PLAN



BRACKET DETAIL

NOTE:
ALL BOLTS/FASTENERS
NECESSARY TO ANCHOR
LADDER ARE BY OTHERS.

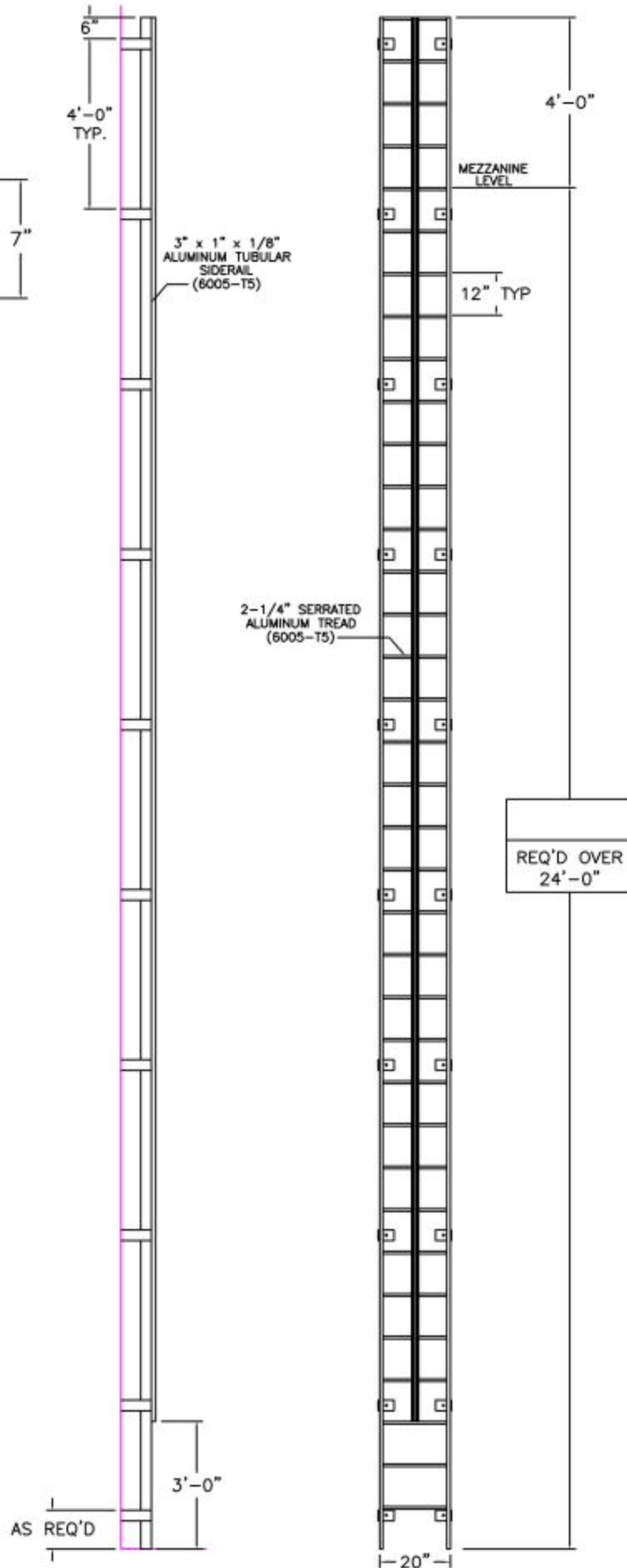
FAS INCLUDED PARTS

- CARRIER RAIL
- RUNG CLAMPS
- (2) LOCKING TROLLEYS
- SPLICE KIT (AS REQ'D)

ITEMS REQ'D BUT NOT INCLUDED

- (1) FULL BODY HARNESS
WITH D-RING PER CLIMBER

FACTORY FINISH
ALUMINUM-MILL FINISH



LADDER RATED AT 1,500 LBS

INDIVIDUAL TREAD TESTED AT
3,000 LBS WITHOUT FAIL

LADDERS MANUFACTURED BY PRECISION LADDERS, LLC
COMPLY WITH OSHA 1910 SUBPART D AND ANSI 14.3

PRECISION REP		PROJECT		WORK ORDER		PURCHASE ORDER	
SERIAL#		ARCHT OR ENGR.		BUILT BY:		PURCHASER	
DATE		DRAWN BY:		CHECKED BY:		MODEL#	
QTY.		DNH		FLH-		FLH-	

Precision Ladders, LLC
 P.O. BOX 2279 Morristown, TN 37816-2279
 Ph: (423) 586-2265 Fax: (423) 586-2091
 www.PrecisionLadders.com