

**TUBULAR FIXED LADDER w/PARAPET PLATFORM, ROOFSIDE RETURN & FALL ARREST SYSTEM**

FLH-09-FAS

LADDER RATED AT 1,500 LBS

INDIVIDUAL RUNG TESTED AT 3,000 LBS WITHOUT FAIL

LADDERS MANUFACTURED BY PRECISION LADDERS, LLC  
COMPLY WITH OSHA 1910 SUBPART D AND ANSI 14.3

PRECISION REP

SERIAL#

QTY.

PURCHASER

DATE

DNH

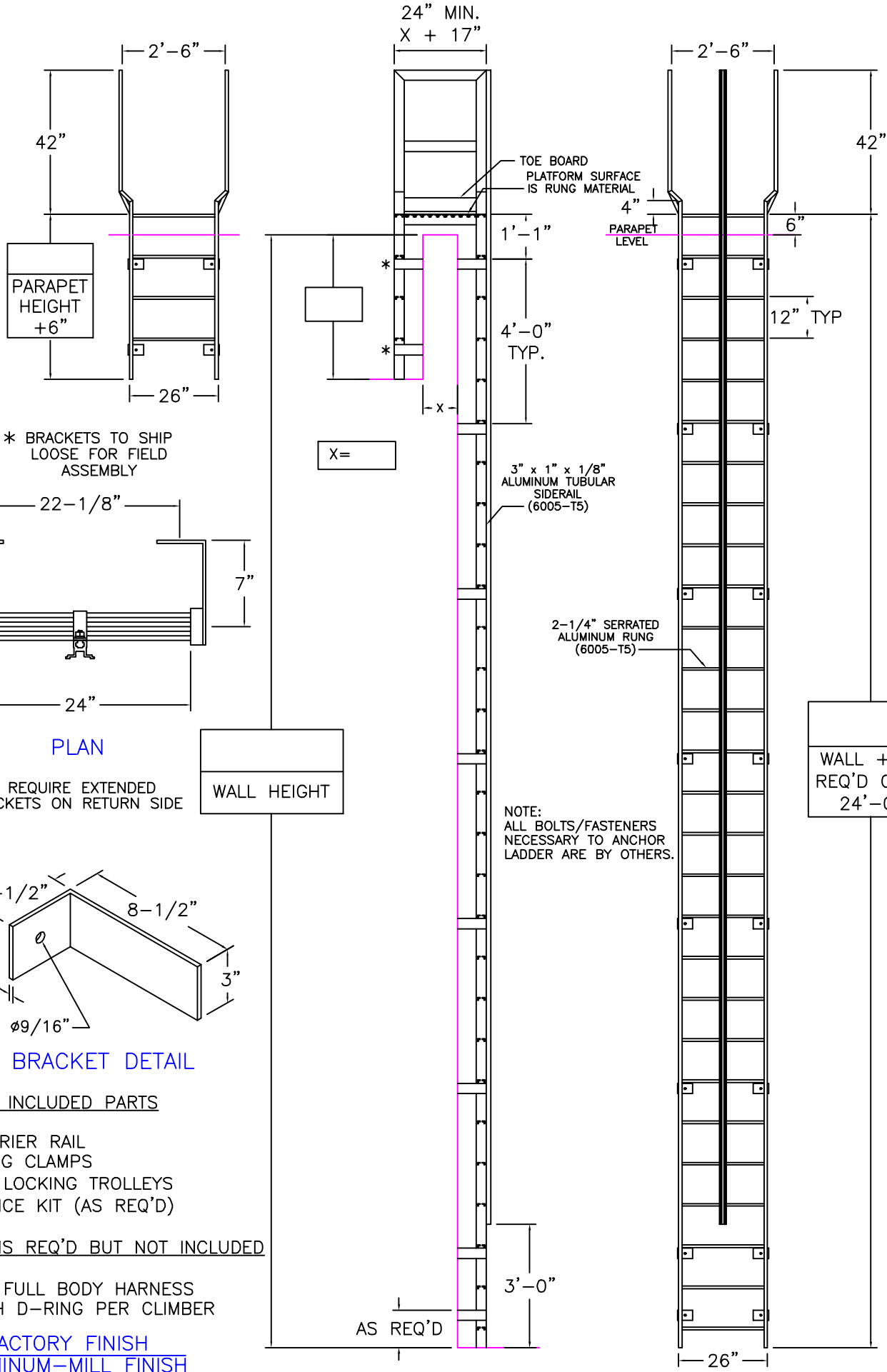
PURCHASE ORDER

BUILT BY:

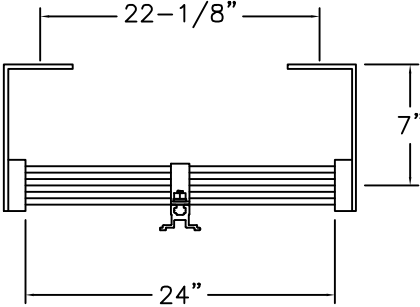
CHECKED BY:

WORK ORDER#

www.PrecisionLadders.com

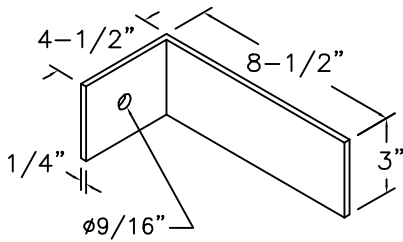


\* BRACKETS TO SHIP LOOSE FOR FIELD ASSEMBLY



PLAN

\* MAY REQUIRE EXTENDED BRACKETS ON RETURN SIDE



BRACKET DETAIL

FAS INCLUDED PARTS

- CARRIER RAIL
- RUNG CLAMPS
- (2) LOCKING TROLLEYS
- SPLICE KIT (AS REQ'D)

ITEMS REQ'D BUT NOT INCLUDED

- (1) FULL BODY HARNESS WITH D-RING PER CLIMBER

FACTORY FINISH  
ALUMINUM-MILL FINISH