

**TUBULAR FIXED LADDER w/PARAPET PLATFORM, ROOFSIDE RETURN & FALL ARREST SYSTEM**

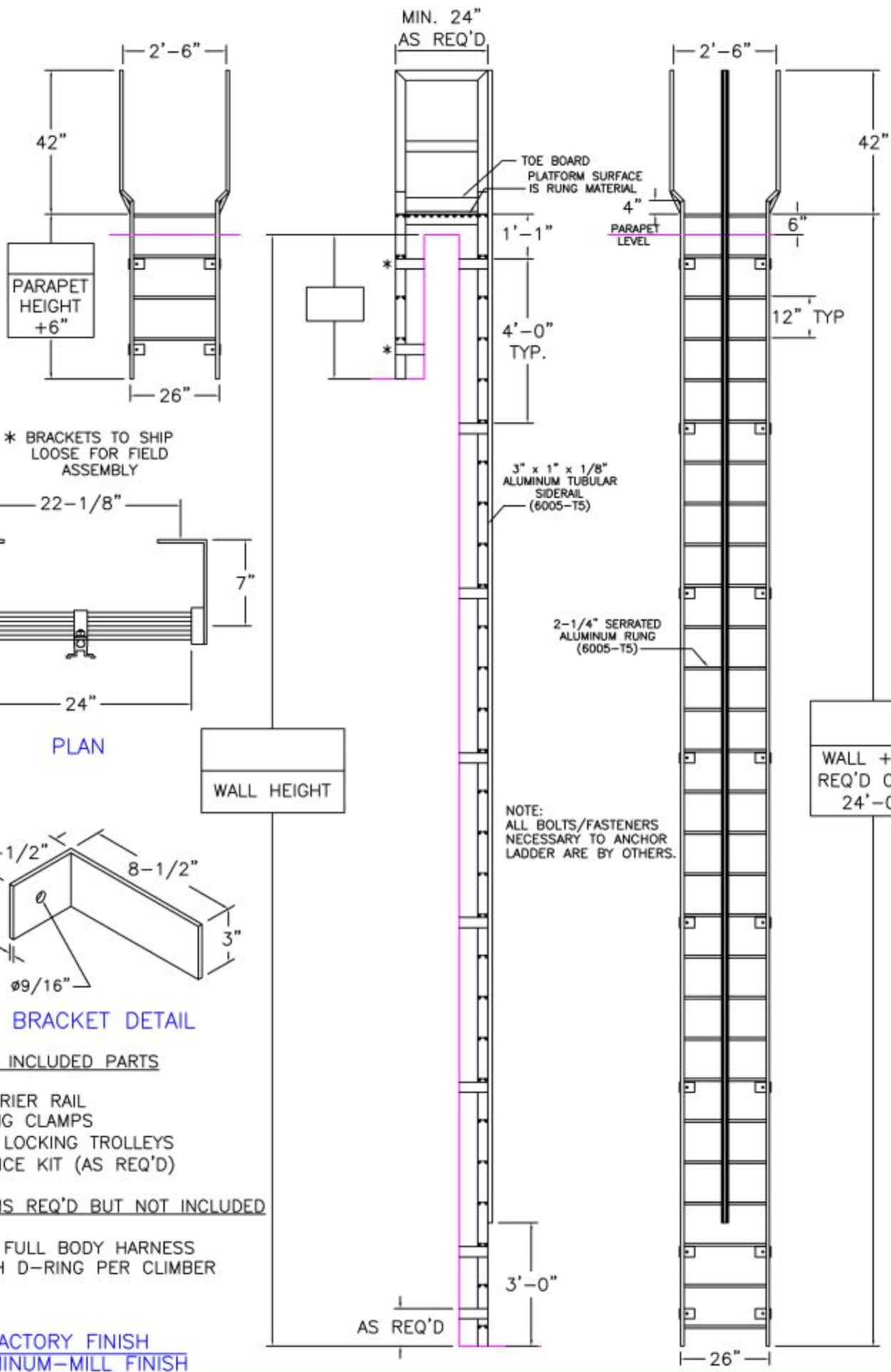
FLH-09-FAS

LADDER RATED AT 1,500 LBS

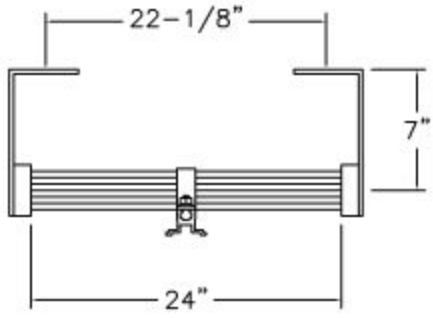
INDIVIDUAL RUNG TESTED AT 3,000 LBS WITHOUT FAIL

LADDERS MANUFACTURED BY PRECISION LADDERS, LLC  
COMPLY WITH OSHA 1910 SUBPART D AND ANSI 14.3

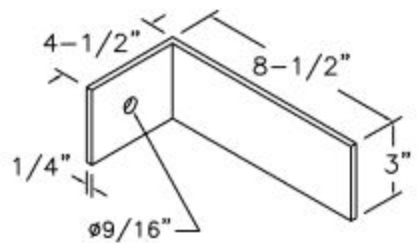
PRECISION REP		SERIAL#	
PROJECT		PURCHASER	
WORK ORDER	DATE	MODEL#	FLH-
	2/21/19		
ARCHT OR ENGR.		DRAWN BY:	
		DNH	
PURCHASE ORDER		CHECKED BY:	
BUILT BY:		WORK ORDER ( )	
CHECKED BY:			
Precision Ladders, LLC P.O. BOX 2279 Morristown, TN 37816-2279 Ph: (423) 586-2265 Fax: (423) 586-2091 www.PrecisionLadders.com			



\* BRACKETS TO SHIP LOOSE FOR FIELD ASSEMBLY



PLAN



BRACKET DETAIL

FAS INCLUDED PARTS

- CARRIER RAIL
- RUNG CLAMPS
- (2) LOCKING TROLLEYS
- SPLICE KIT (AS REQ'D)

ITEMS REQ'D BUT NOT INCLUDED

- (1) FULL BODY HARNESS WITH D-RING PER CLIMBER

FACTORY FINISH  
ALUMINUM-MILL FINISH