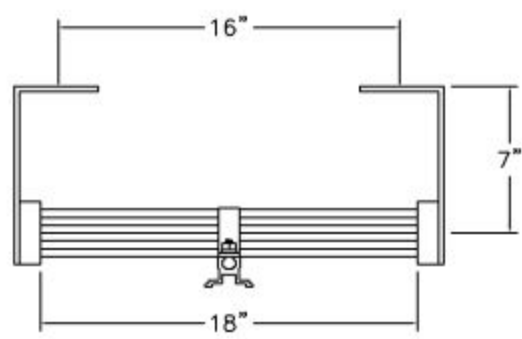
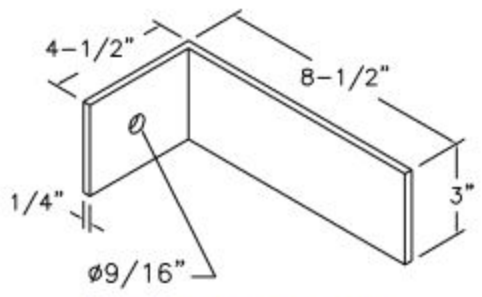


TUBULAR FIXED LADDER TO ROOF HATCH w/FALL ARREST SYSTEM

FLH-05-FAS



PLAN



BRACKET DETAIL

IF WALL DOES NOT LINE UP WITH HATCH OPENING, ADVISE OFFSET

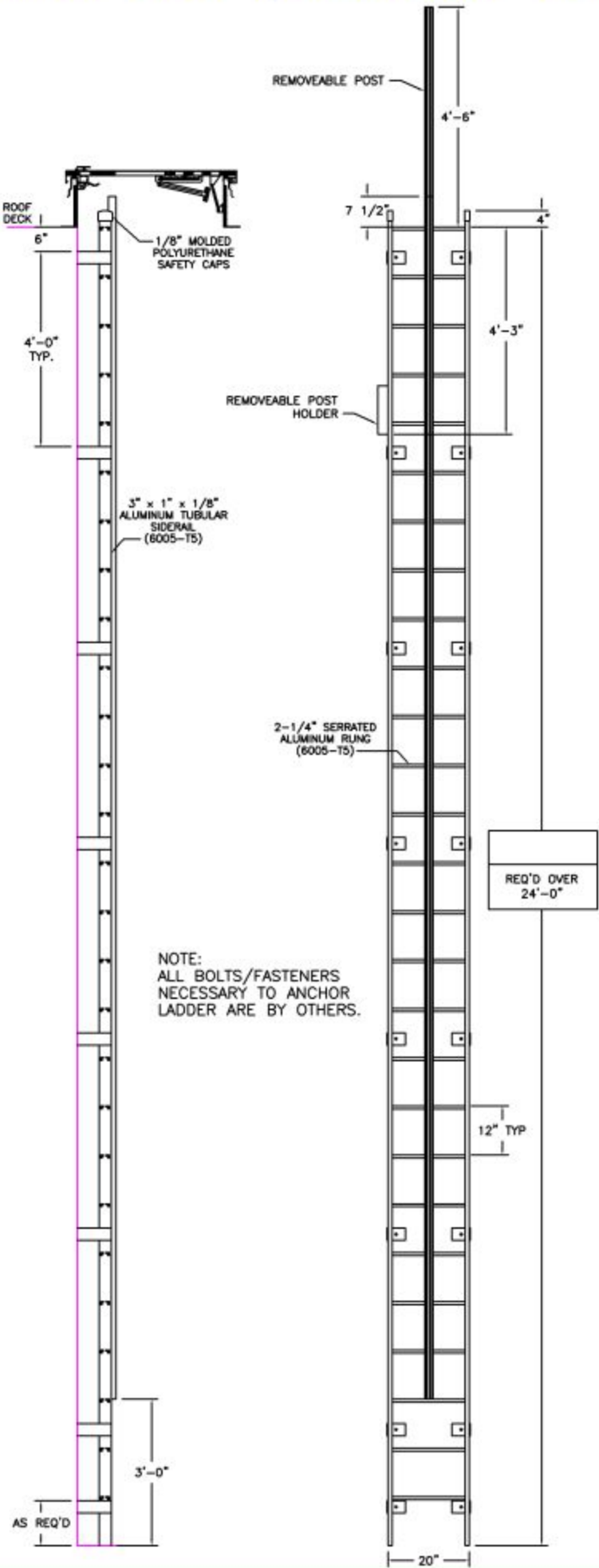
FAS INCLUDED PARTS

- CARRIER RAIL
- RUNG CLAMPS
- (2) LOCKING TROLLEYS
- SPLICE KIT (AS REQ'D)

ITEMS REQ'D BUT NOT INCLUDED

- (1) FULL BODY HARNESS WITH D-RING PER CLIMBER

FACTORY FINISH
ALUMINUM-MILL FINISH



NOTE:
ALL BOLTS/FASTENERS NECESSARY TO ANCHOR LADDER ARE BY OTHERS.

LADDER RATED AT 1,500 LBS

INDIVIDUAL TREAD TESTED AT 3,000 LBS WITHOUT FAIL

LADDERS MANUFACTURED BY PRECISION LADDERS, LLC
COMPLY WITH OSHA 1910 SUBPART D AND ANSI 14.3

PRECISION REP		SERIAL#	
PROJECT		PURCHASER	
WORK ORDER	DATE	MODEL#	FLH-
	2/20/19		
ARCHT OR ENGR.		DRAWN BY:	
	DNH		
PURCHASE ORDER		BUILT BY:	
CHECKED BY:		WORK ORDER: (



Precision Ladders, LLC
P.O. BOX 2279 Morristown, TN 37816-2279
Ph: (423) 586-2265 Fax: (423) 586-2091
www.PrecisionLadders.com