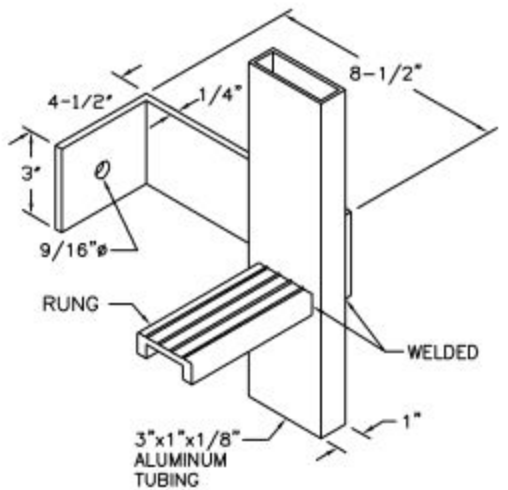


# TUBULAR LADDER DETAILS

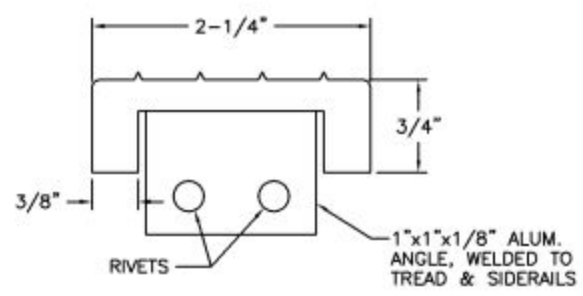
(APPLICABLE IF MARKED)

SIDERAIL DETAIL

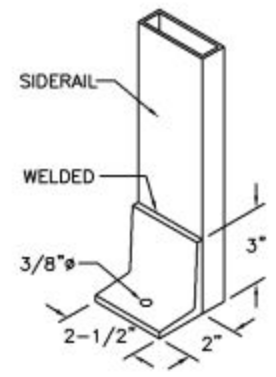


RUNG DETAIL

1,500 LB LOAD RATING



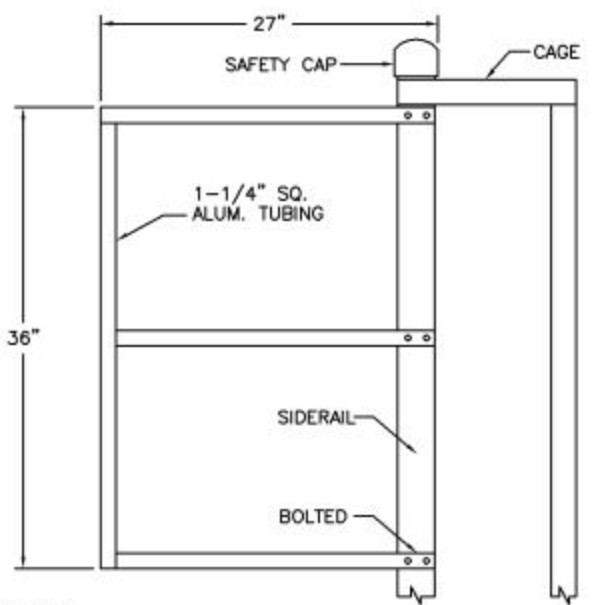
FLOOR BRACKET



INDIVIDUAL RUNGS TESTED AT 3,000 LBS WITHOUT FAILURE

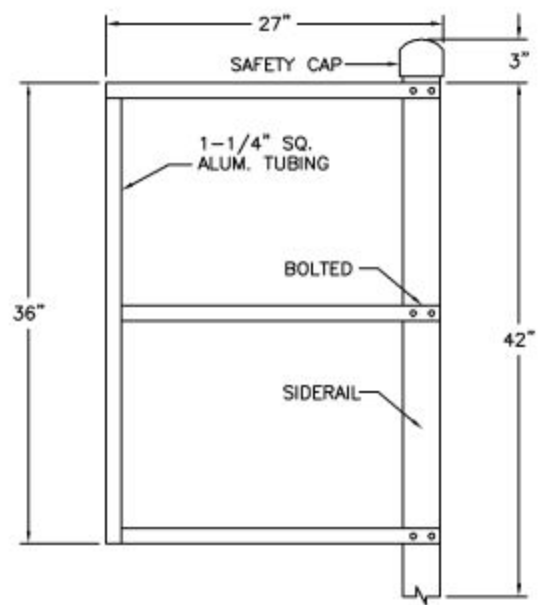
SAFETY BARS

(FIXED VERTICAL LADDER w/CAGE)



SAFETY BARS

(FIXED VERTICAL LADDER w/WALK-THRU)



CAGE ATTACHMENT

