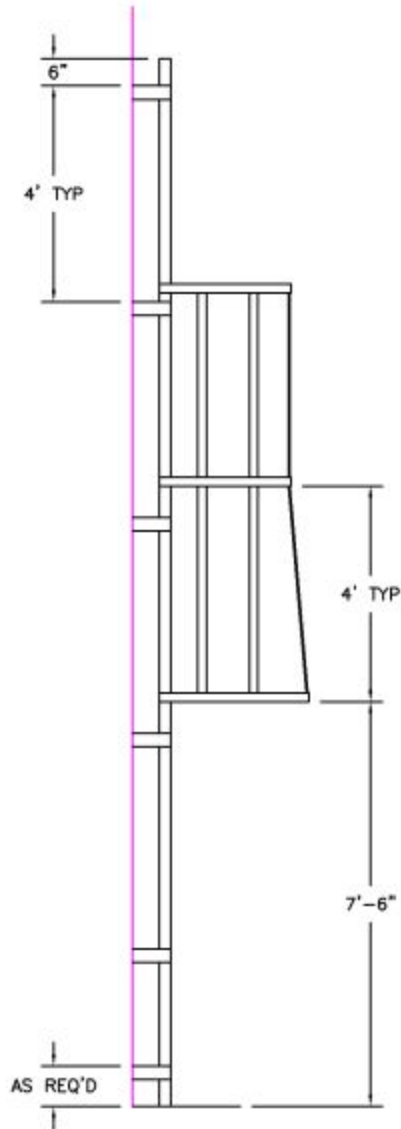
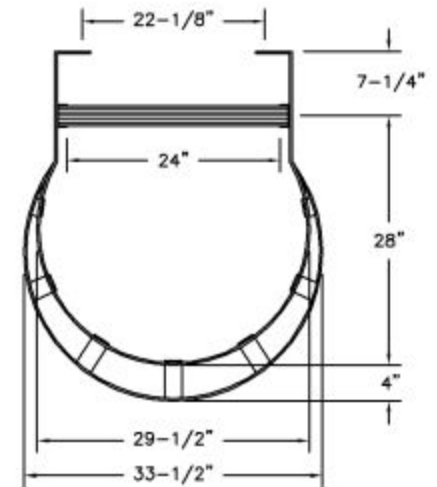
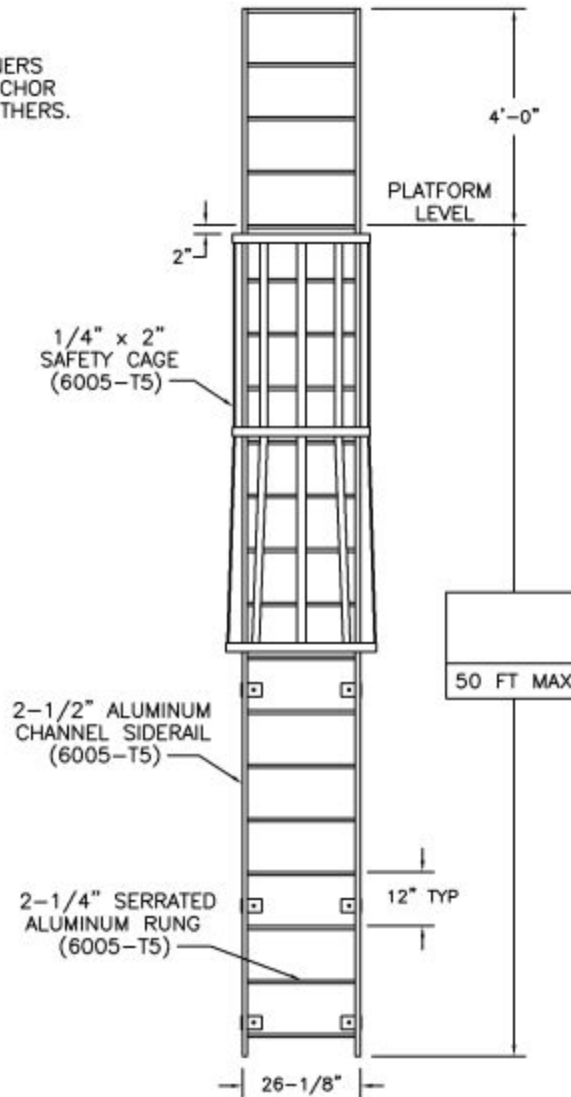


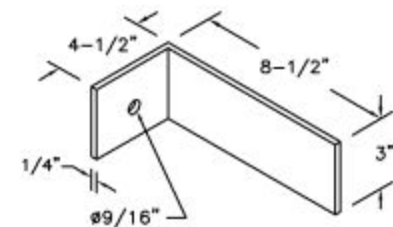
FIXED LADDER w/CAGE & OVERSHOOT



NOTE:
ALL BOLTS/FASTENERS
NECESSARY TO ANCHOR
LADDER ARE BY OTHERS.



PLAN



BRACKET DETAIL

FACTORY FINISH
ALUMINUM-MILL FINISH

FL-13

LADDERS MANUFACTURED BY PRECISION LADDERS, LLC
COMPLY WITH OSHA 1910.23 AND ANSI 14.3

INDIVIDUAL RUNG TESTED AT
3,000 LBS WITHOUT FAIL

LADDER RATED AT 1,500 LBS

Precision Ladders, LLC
P.O. BOX 2279 Morristown, TN 37816-2279
Ph: (423) 586-2265 Fax: (423) 586-2091
www.PrecisionLadders.com

WORK ORDER: ()

DWG. CHECK
BUILT BY:
CHECKED BY:

ARCHT OR ENGR.
PURCHASE ORDER
DRAWN BY: DNH

PROJECT
REVISION
DATE: 4/4/17
PURCHASER
MODEL#
FL-

PRECISION REP
SERIAL#
QTY.