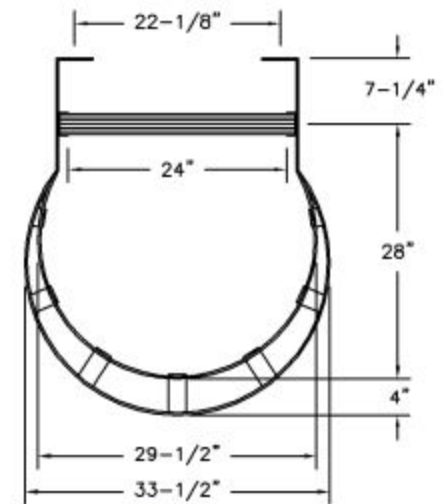
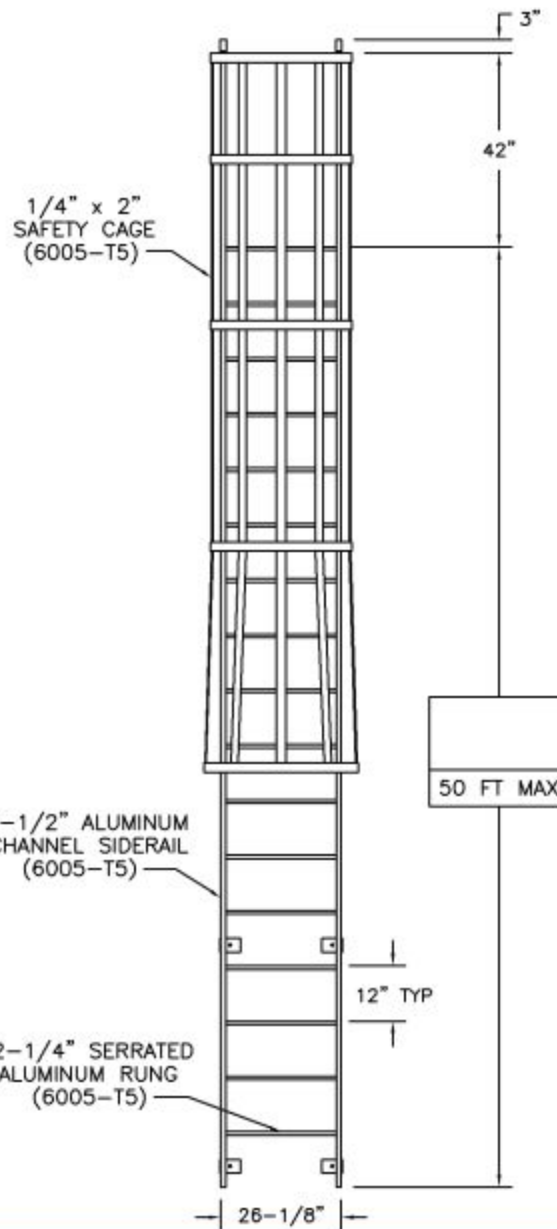
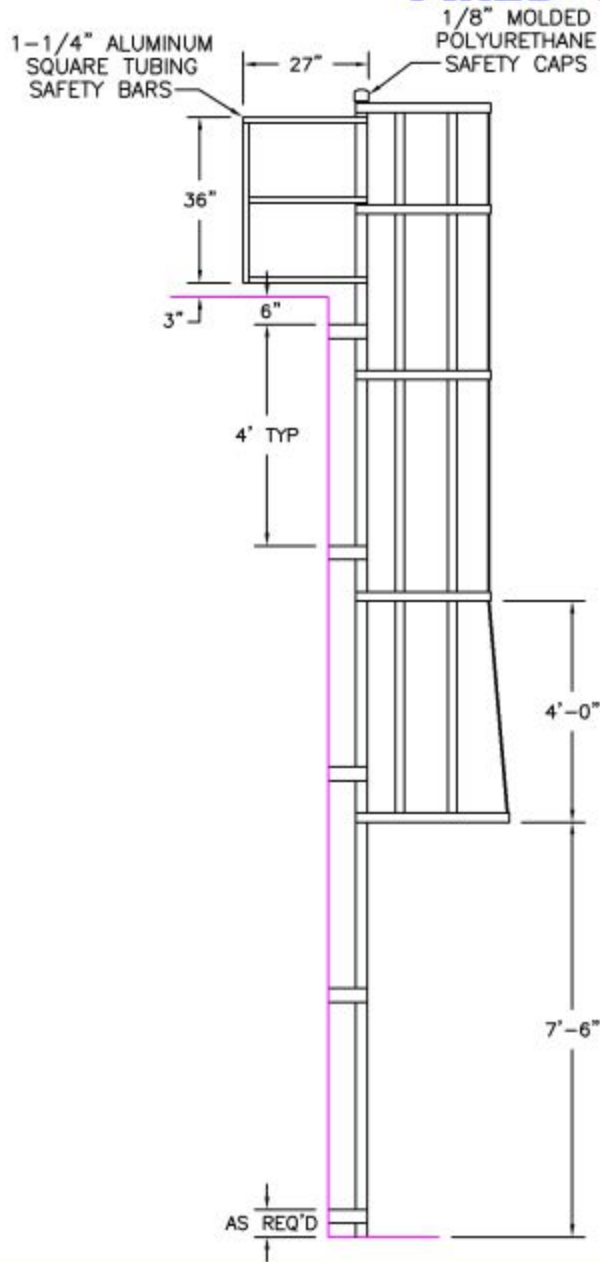
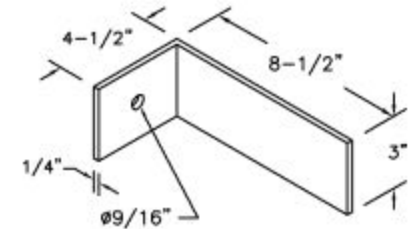


FIXED LADDER w/CAGE & WALK-THRU



PLAN



BRACKET DETAIL

NOTE:
ALL BOLTS/FASTENERS
NECESSARY TO ANCHOR
LADDER ARE BY OTHERS.

FACTORY FINISH
ALUMINUM-MILL FINISH

FL-09

LADDERS MANUFACTURED BY PRECISION LADDERS, LLC
COMPLY WITH OSHA 1910.23 AND ANSI 14.3

INDIVIDUAL RUNG TESTED AT
3,000 LBS WITHOUT FAIL

LADDER RATED AT 1,500 LBS

 Precision Ladders, LLC
P.O. BOX 2279 Morristown, TN 37816-2279
Ph: (423) 586-2265 Fax: (423) 586-2091
www.PrecisionLadders.com

DWG. CHECK	ARCH'T OR ENG'R	PROJECT	PRECISION REP
BUILT BY:	PURCHASE ORDER	REVISION	PURCHASER
CHECKED BY:	DRAWN BY: DNH	DATE: 4/4/17	MODEL#
		FL-	QTY.