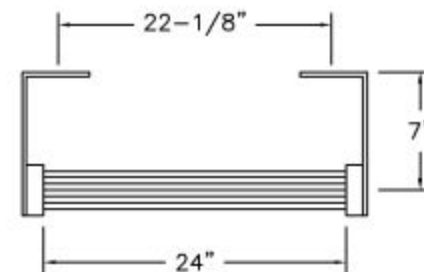
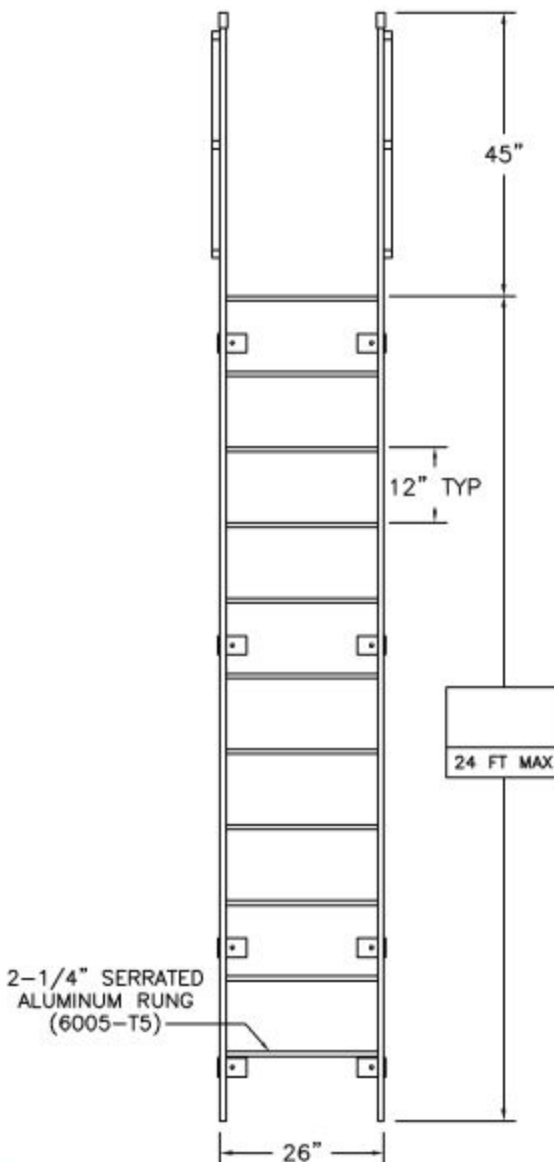
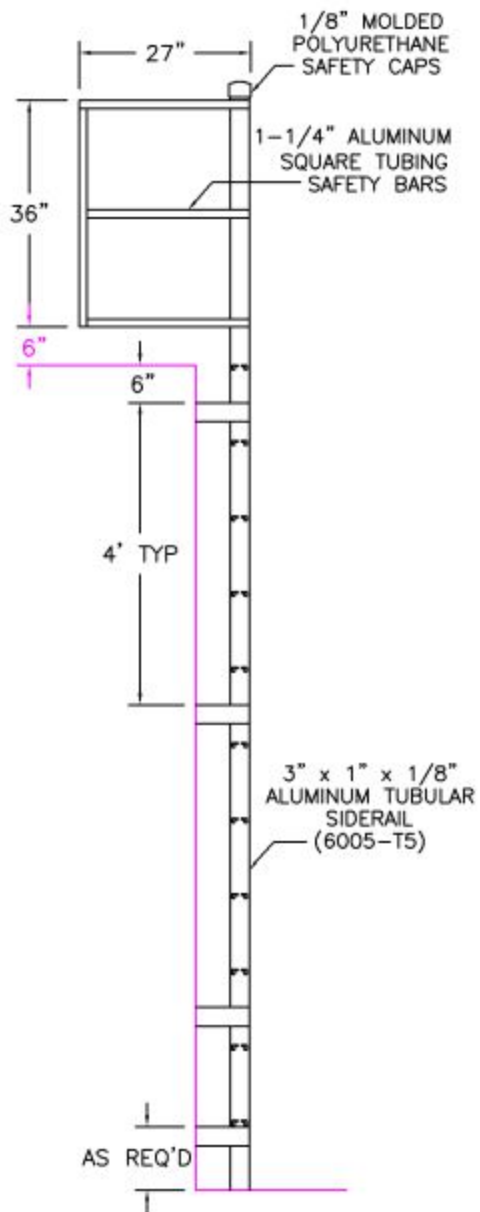
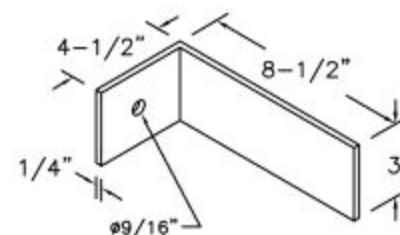


TUBULAR FIXED LADDER w/WALK-THRU



PLAN
(SAFETY BARS OMITTED FOR CLARITY)



BRACKET DETAIL

NOTE:
ALL BOLTS/FASTENERS
NECESSARY TO ANCHOR
LADDER ARE BY OTHERS.

FACTORY FINISH
ALUMINUM-MILL FINISH

FLH-04

LADDERS MANUFACTURED BY PRECISION LADDERS, LLC
COMPLY WITH OSHA 1910.23 AND ANSI 14.3

INDIVIDUAL RUNG TESTED AT
3,000 LBS WITHOUT FAIL

LADDER RATED AT 1,500 LBS

 Precision Ladders, LLC
P.O. BOX 2279 Morristown, TN 37816-2279
Ph: (423) 586-2265 Fax: (423) 586-2091
www.PrecisionLadders.com

ENG. CHECK

ARCH'T OR ENG'R.

PROJECT

PRECISION REP

BUILT BY:

PURCHASE ORDER

REVISION

PURCHASER

SERIAL#

CHECKED BY:

DRAWN BY:

DNH

DATE

4/4/17

MODEL#

FLH-

QTY.