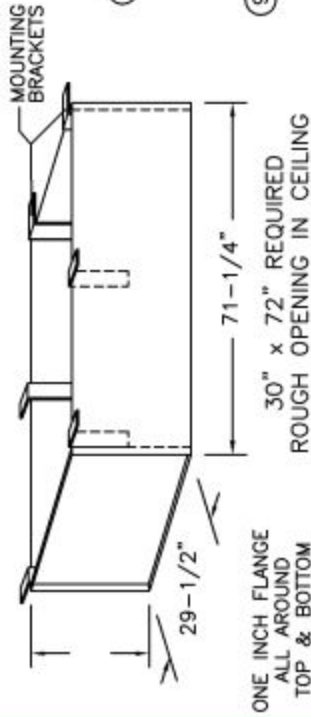


SS-4000 AUTOMATIC SUPER SIMPLEX STAIRWAY WITH STANDARD BOX FRAME

(USE THIS DRAWING FOR CEILING HEIGHTS BETWEEN 12'-1" TO 13'-6")



ONE INCH FLANGE ALL AROUND TOP & BOTTOM

STANDARD BOX FRAME FABRICATED FROM 1/8" STEEL

THIS DRAWING ACCOMMODATES FRAME DEPTHS FROM 6" TO 11".

NOTES

IF FLOOR ABOVE IS MORE THAN 12" ABOVE CEILING LINE, 63 DEGREE ANGLE FRAME IS RECOMMENDED.

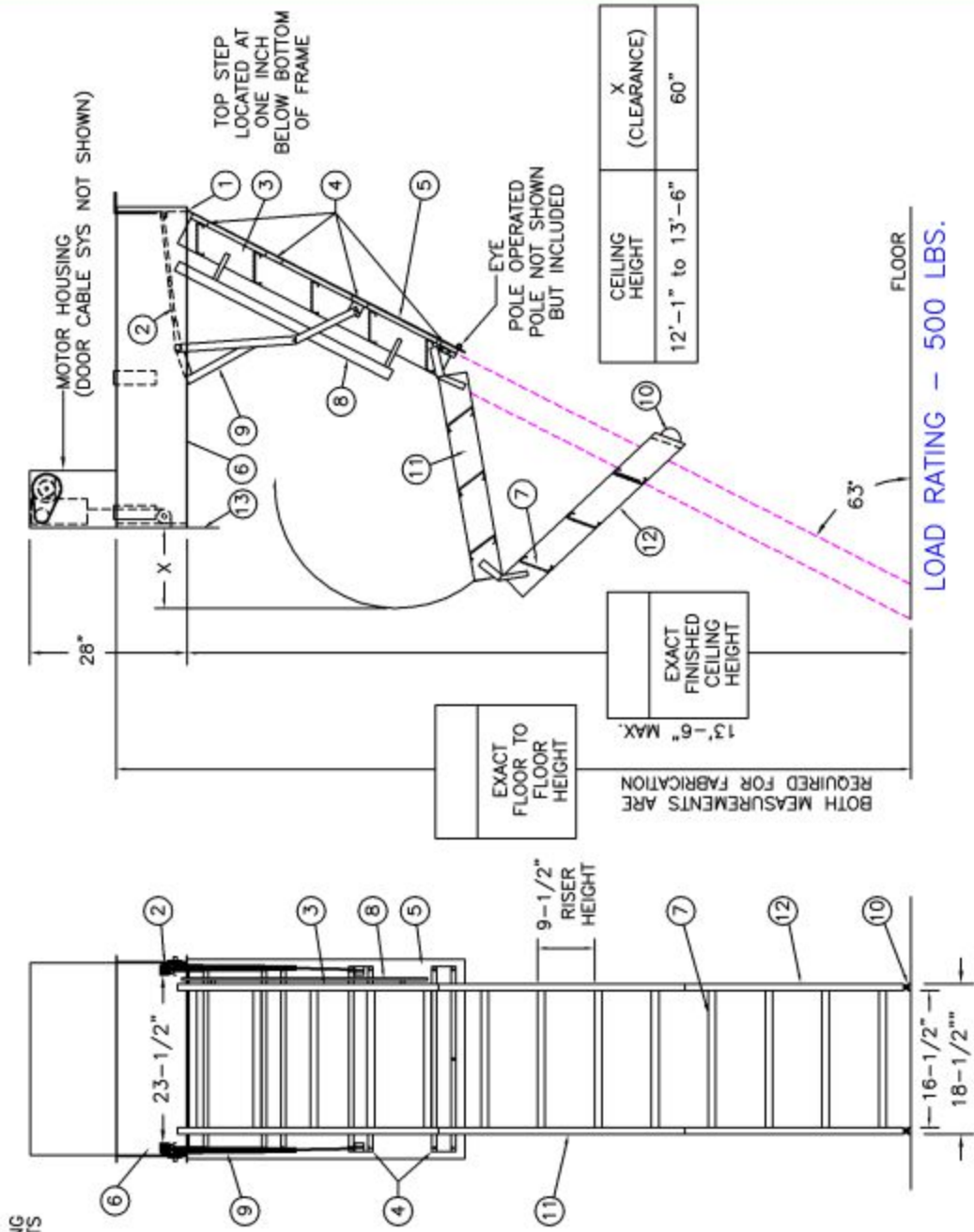
DIMENSIONS ON THIS DRAWING PERTAIN ONLY TO CEILING HEIGHTS BETWEEN 12'-1" AND 13'-6" WITH LESS THAN A 12° FRAME.

SHIPS COMPLETELY ASSEMBLED AS ONE UNIT.

MOTOR REQUIRES STANDARD 120V/30A CIRCUIT

MANUFACTURER RECOMMENDS THAT 2 PEOPLE OPEN/CLOSE UNITS INSTALLED IN CEILINGS 11" AND OVER.

MODEL SS-4000 STAIRWAYS ARE ELECTRICALLY OPERATED VIA WIRELESS KEYPAD. ONCE A CORRECT CODE IS KEYPAD, THE DOOR PANEL OPENS (OR CLOSES) AND THE STAIR SECTIONS UNFOLD (OR FOLD UP).



LOAD RATING - 500 LBS.

LADDER LEGEND

1. STEEL PIANO DOOR HINGE
2. DOUBLE SPRING ACTION
3. SIDE RUNNER 5" ALUM.
4. BATTEN 1/8" ALUM.
5. DOOR PANEL 1/8" ALUM.
6. STEEL BOX FRAME
7. TREAD (SERRATED ALUM.)
8. HANDRAIL RIGHT SIDE ONLY
9. EXTRA HEAVY OPERATING ARM
10. ROLLER
11. MIDDLE SECTION
12. BOTTOM SECTION
13. EMERGENCY RELEASE CABLE

NOT TO SCALE

S-4162-B-30

Precision Ladders, LLC
 P.O. BOX 2279 Morristown, TN 37816-2279
 Ph: (423) 586-2265 Fax: (423) 586-2091
 www.PrecisionLadders.com

ARCHT OR ENGR.	PROJECT	PRECISION REP
PURCHASE ORDER	WORK ORDER	DATE
3/6/17	3/6/17	DATE
DRAWN BY: DNH	PURCHASER	MODEL
		QTY.
		S4162-B-30