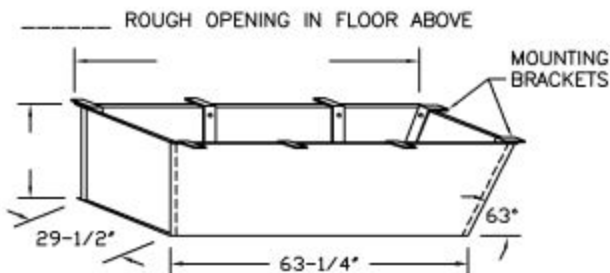


# SS-4000 AUTOMATIC SUPER SIMPLEX STAIRWAY WITH DEEP ANGLE FRAME

(USE THIS DRAWING FOR CEILING HEIGHTS BETWEEN 9'-10" TO 12'-0")

ONE INCH FLANGE  
ALL AROUND  
TOP & BOTTOM



30" x 64" REQUIRED  
ROUGH OPENING IN CEILING

## SPECIAL DEEP FRAME

1/8" STEEL, 63 DEGREE ANGLE ONE END, 90 DEGREE OTHER END, TO CONTAIN SUPER SIMPLEX FOLDING STAIRWAY CUT FOR EXACT FINISHED CEILING HEIGHT. THIS FRAME, WITH FACTORY INSTALLED BUILT-IN TREADS, PROVIDES STEPS FROM THE DROPPED-CEILING LINE TO THE UPPER FLOOR.

## NOTES

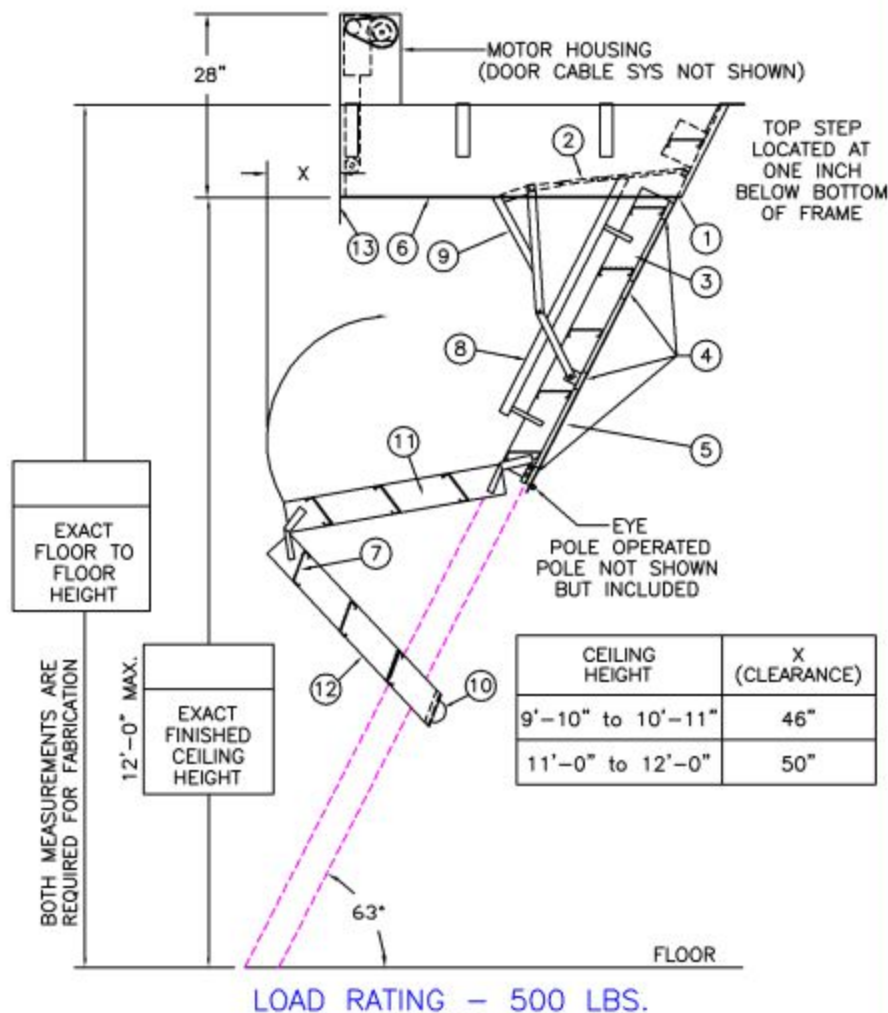
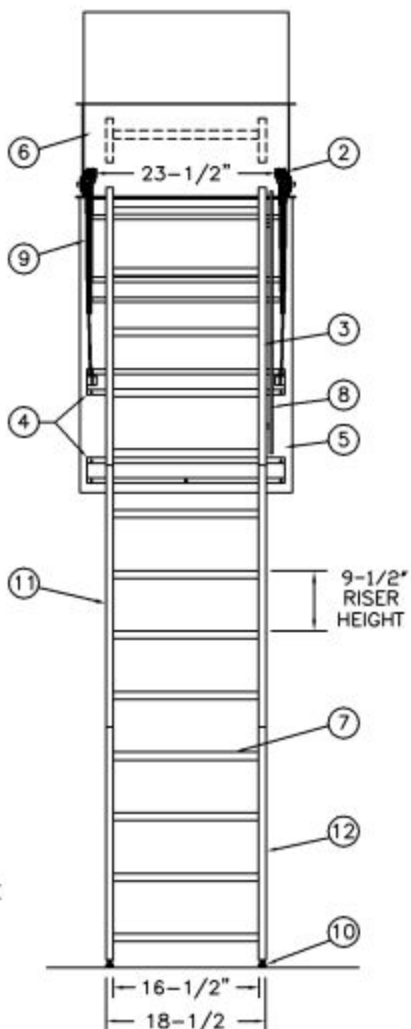
DIMENSIONS ON THIS DRAWING PERTAIN ONLY TO CEILING HEIGHTS BETWEEN 9'-10" AND 12'-0"

MANUFACTURER RECOMMENDS THAT 2 PEOPLE OPEN/CLOSE UNITS INSTALLED IN CEILINGS 11' & OVER.

SHIPS COMPLETELY ASSEMBLED AS ONE UNIT

MOTOR REQUIRES STANDARD 120V/30A CIRCUIT

MODEL SS4000 STAIRWAYS ARE ELECTRICALLY OPERATED VIA WIRELESS KEYPAD. ONCE A CORRECT CODE IS KEYED, THE DOOR PANEL OPENS (OR CLOSES) AND THE STAIR SECTIONS UNFOLD (OR FOLD UP).



## LADDER LEGEND

- |                           |                              |
|---------------------------|------------------------------|
| 1. STEEL PIANO DOOR HINGE | 8. HANDRAIL RIGHT SIDE ONLY  |
| 2. DOUBLE SPRING ACTION   | 9. EXTRA HEAVY OPERATING ARM |
| 3. SIDE RUNNER 5" ALUM.   | 10. ROLLER                   |
| 4. BATTEN 1/8" ALUM.      | 11. MIDDLE SECTION           |
| 5. DOOR PANEL 1/8" ALUM.  | 12. BOTTOM SECTION           |
| 6. STEEL ANGLE FRAME      | 13. EMERGENCY RELEASE CABLE  |
| 7. TREAD (SERRATED ALUM.) |                              |

NOT TO SCALE

S4144-A-30

<p>Precision Ladders, LLC P.O. BOX 2279 Morristown, TN 37816-2279 Ph: (423) 586-2265 Fax: (423) 586-2091 www.PrecisionLadders.com</p>	DWG. CHECK	ARCHT OR ENGR.	PROJECT		PRECISION REP
	BUILT BY:	PURCHASE ORDER	WORK ORDER	PURCHASER	SERIAL#
	CHECKED BY:	DRAWN BY: DNH	DATE	MODEL#	QTY.
	WORK ORDER: ( )				