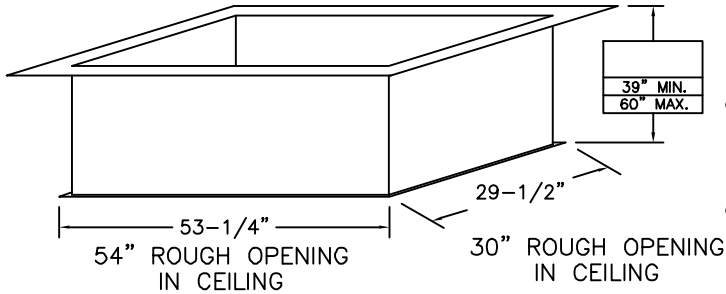


# AUTOMATIC SUPER SIMPLEX STAIRWAY WITH DEEP BOX FRAME TO HATCH

(USE THIS DRAWING FOR CEILING HEIGHTS 9'-9" OR LESS)

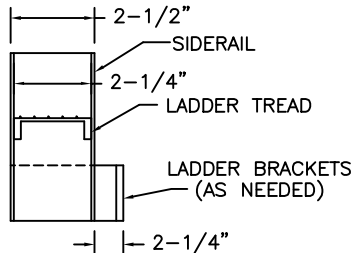
FIVE INCH FLANGE  
ALL AROUND TOP  
ONE INCH FLANGE  
ALL AROUND BOTTOM



## SPECIAL DEEP BOX FRAME

1/8" STEEL, TO CONTAIN ALUMINUM SUPER SIMPLEX FOLDING STAIRWAY CUT FOR EXACT FINISHED CEILING HEIGHT. THIS FRAME, WITH FACTORY INSTALLED BUILT-IN TREADS, PROVIDES STEPS FROM THE DROPPED-CEILING LINE TO THE UPPER FLOOR.

## FRAME LADDER DETAIL



## NOTES

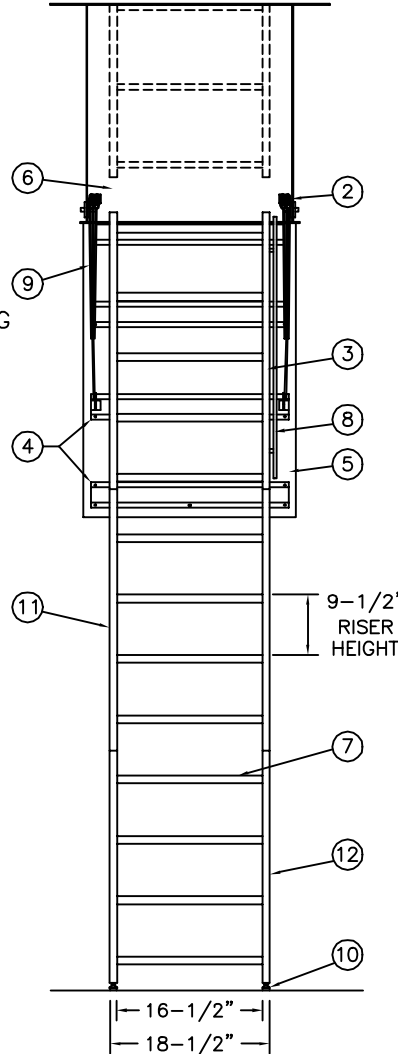
IF FLOOR ABOVE IS MORE THAN 12" ABOVE CEILING LINE, 63 DEGREE ANGLE FRAME IS RECOMMENDED.

DIMENSIONS ON THIS DRAWING PERTAIN ONLY TO CEILING HEIGHTS 9'-9" OR LESS WITH A 39" MIN. FRAME

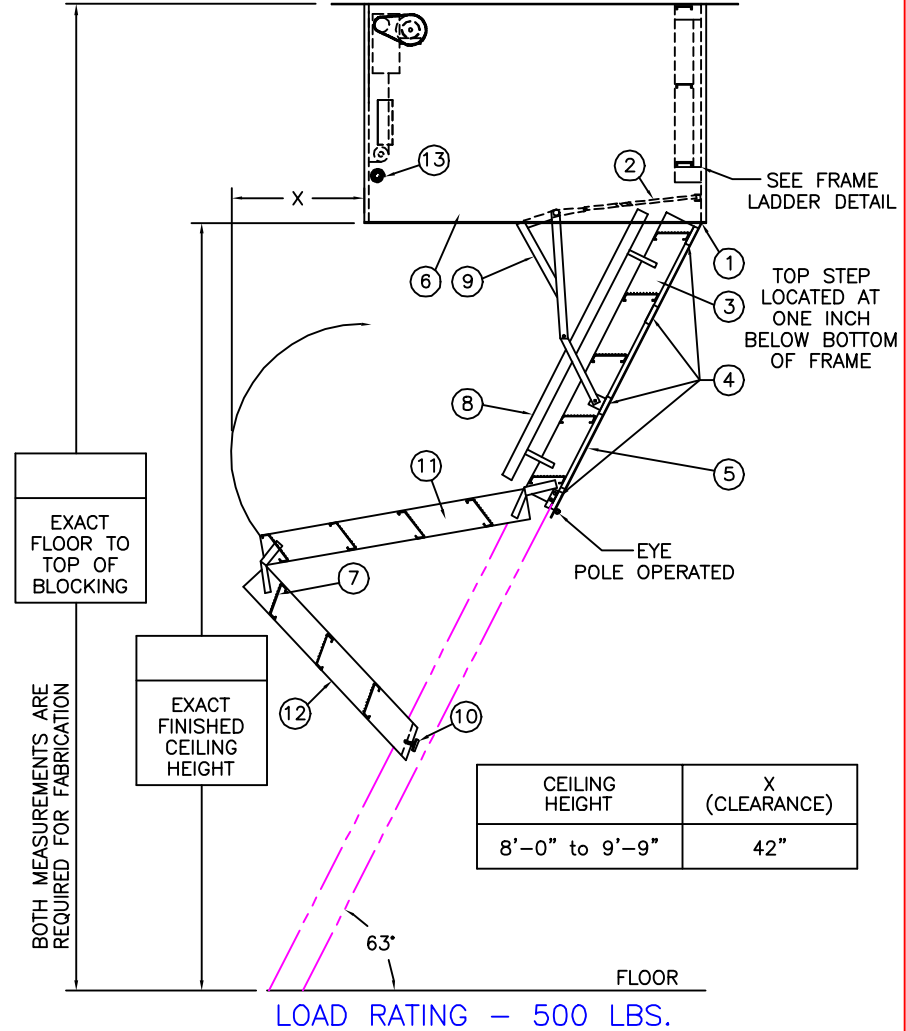
SHIPS COMPLETELY ASSEMBLED AS ONE UNIT.

MOTOR REQUIRES STANDARD 120V/30A CIRCUIT

MODEL S4000 STAIRWAYS ARE ELECTRICALLY OPERATED VIA WIRELESS KEYPAD. ONCE A CORRECT CODE IS KEYED, THE DOOR PANEL OPENS (OR CLOSES) AND THE STAIR SECTIONS UNFOLD (OR FOLD UP).



NOT DESIGNED FOR ATTACHMENTS TO DOOR PANEL



CEILING HEIGHT	X (CLEARANCE)
8'-0" to 9'-9"	42"

BOTH MEASUREMENTS ARE REQUIRED FOR FABRICATION

LOAD RATING - 500 LBS.

## LADDER LEGEND

- |                           |                                |
|---------------------------|--------------------------------|
| 1. STEEL PIANO DOOR HINGE | 7. TREAD (SERRATED ALUM.)      |
| 2. DOUBLE SPRING ACTION   | 8. HANDRAIL ON RIGHT SIDE ONLY |
| 3. SIDE RUNNER 5" ALUM.   | 9. EXTRA HEAVY OPERATING ARM   |
| 4. BATTEN 1/8" ALUM.      | 10. ADJUSTABLE FOOT            |
| 5. DOOR PANEL 1/8" ALUM.  | 11. MIDDLE SECTION             |
| 6. STEEL BOX FRAME        | 12. BOTTOM SECTION             |
|                           | 13. EMERGENCY RELEASE CABLE    |

NOT TO SCALE

**Precision Ladders, LLC**  
 P.O. BOX 2279 Morristown, TN 37816-2279  
 Ph: (423) 586-2265 Fax: (423) 586-2091  
 www.PrecisionLadders.com

WORK ORDER: ( )	DWG. CHECK	ARCH'T OR ENG'R.	PROJECT		PRECISION REP
	BUILT BY:	PURCHASE ORDER	WORK ORDER	PURCHASER	SERIAL#
	CHECKED BY:	DRAWN BY:	DATE	MODEL#	QTY.
			10/3/09	S4	

S-4117-BDH-30