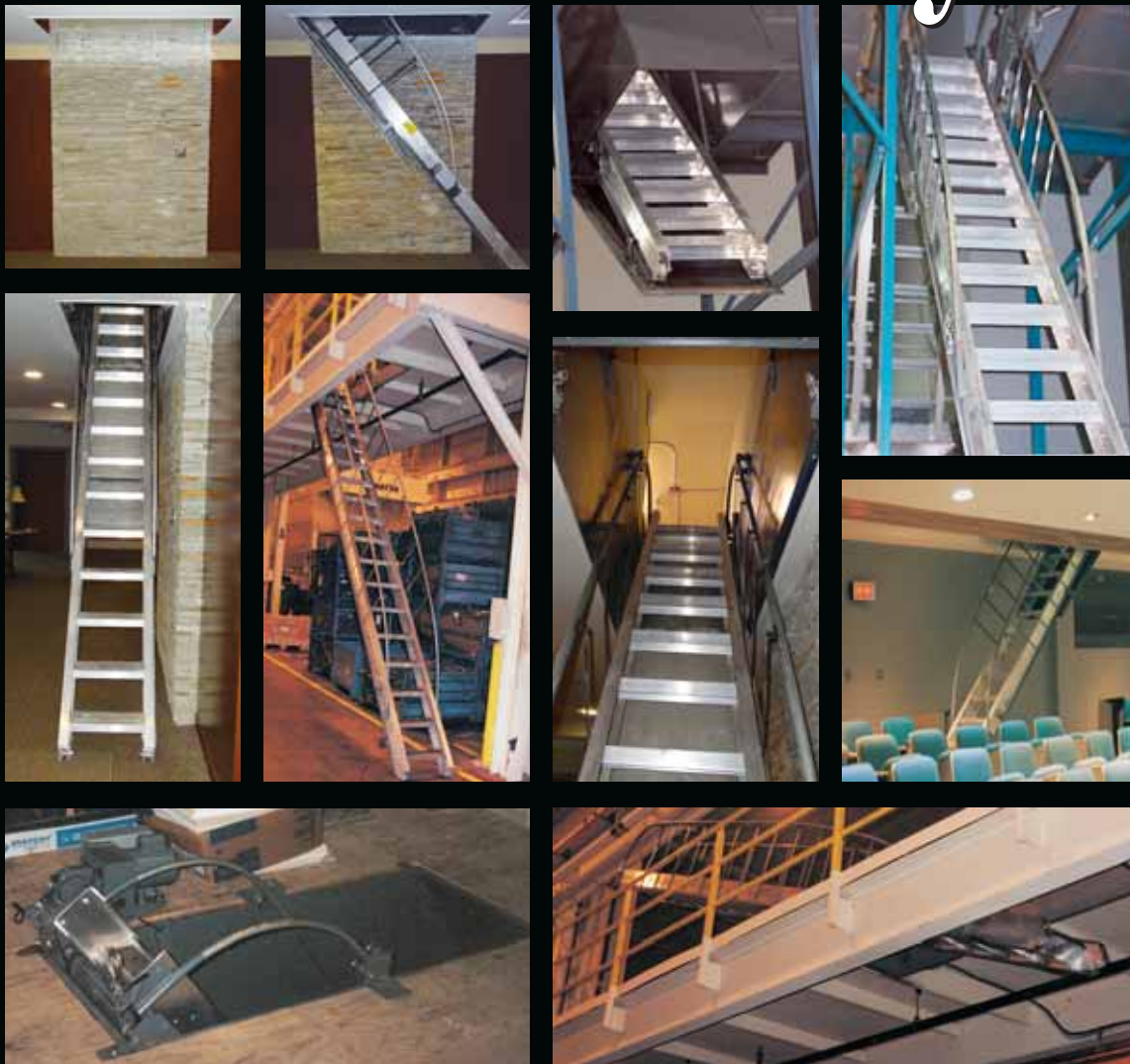


Automatic Electric Disappearing Stairways

Automatic Electric
Disappearing
Stairways



Precision Ladders, LLC

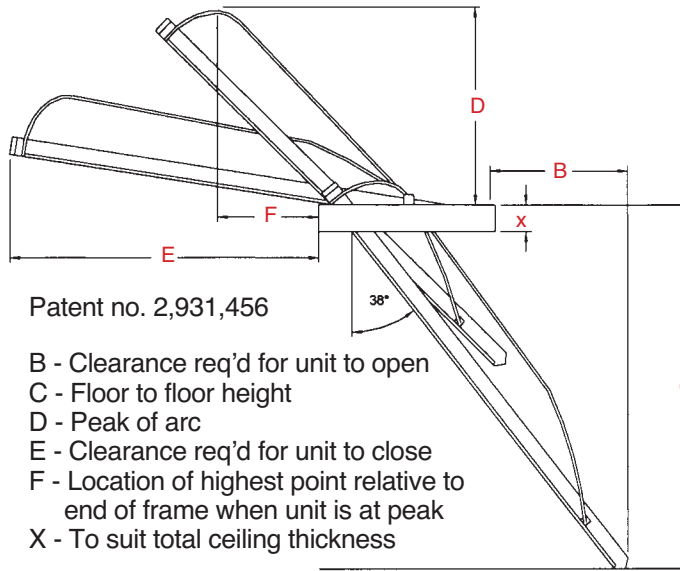
www.PrecisionLadders.com



Precision Ladders, LLC • P.O. Box 2279 • Morristown, TN 37816
Phone: (800) 225-7814 or (423) 586-2265 • Fax: (423) 586-2091
email: stairwaysales@precisionladders.com • www.precisionladders.com

Automatic Electric Disappearing Stairways

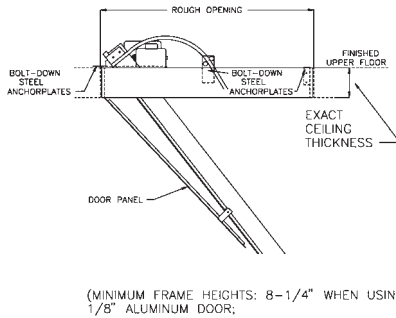
Automatic Electric Disappearing Stairways



| | | Frame Depth ("X") | | | | | | |
|-----|---|-------------------|-----|-----|-----|-----|-----|-----|
| | | 12" | 18" | 24" | 30" | 36" | 42" | 48" |
| 7' | B | 12" | | | | | | |
| | D | 41" | | | | | | |
| | F | 6" | | | | | | |
| 8' | B | 22" | | | | | | |
| | D | 45" | | | | | | |
| | F | 11" | | | | | | |
| 9' | B | 31" | 31" | 31" | | | | |
| | D | 58" | 47" | 47" | | | | |
| | F | 22" | 20" | 18" | | | | |
| 10' | B | 41" | 41" | 41" | 41" | 41" | | |
| | D | 66" | 56" | 53" | 50" | 48" | | |
| | F | 24" | 24" | 12" | 8" | 8" | | |
| 11' | B | 50" | 50" | 50" | 50" | 50" | 50" | 50" |
| | D | 77" | 66" | 64" | 60" | 58" | 54" | 52" |
| | F | 35" | 29" | 21" | 18" | 17" | 21" | 14" |
| 12' | B | 60" | 60" | 60" | 60" | 60" | 60" | 60" |
| | D | 85" | 75" | 76" | 72" | 69" | 63" | 61" |
| | F | 47" | 34" | 32" | 30" | 26" | 23" | 20" |
| 13' | B | 69" | 69" | 69" | 69" | 69" | 69" | 69" |
| | D | 91" | 85" | 84" | 84" | 80" | 73" | 72" |
| | F | 60" | 45" | 45" | 40" | 38" | 33" | 31" |

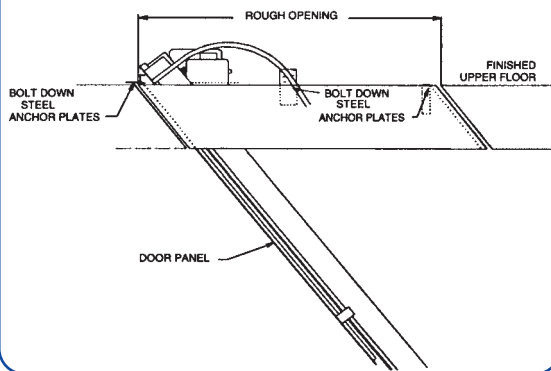
The list above is only a sampling; if the exact floor to floor height is not listed, please call the factory for assistance. Units can be fabricated for floor to floor heights in excess of 20', again please call the factory or the local representative.

Box Frame



52° Angle Frame

FOR CEILING THICKNESS 13"- 48"



HIGHLIGHTS

- Meets A.N.S.I. A14.9-2010 for "Commercial" or "Residential" use.
- 1000 lb. capacity
- Rough opening: 30" x 72" (30" x 84" where floor to floor is 14' or greater)
- Frame formed from 1/8" steel sheet
- Handrails/guides: 1 1/16" od galvanized
- Sealed ball bearings
- Motor: 1/3 hp, instantly reversible, pre-wired to control switches
- Stringers: 7" x .230" alum channel
- Treads: 6" x 20 3/8" x .225" alum channel with self-adhesive, anti-slip "Flex Tread".
- Clear tread width: 16 5/8"
- Angle of incline: 52°

OPTIONAL ITEMS

- Key switch at lower level
- Warning buzzer
- Custom frame to accommodate dropped ceilings

Precision Ladders, LLC

www.PrecisionLadders.com

Phone (800) 225-7814 • Fax (423) 586-2091

DWG files available for download @ www.precisionladders.com

Consult factory for custom sizes.



Product Details



Lower Cable Attachment



Motor Mount



Overhead
Cable Gear



Handrail Roller Guides



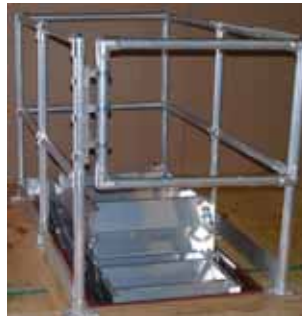
Handrails

**Automatic Electric
Disappearing
Stairways**

Other Products Available From Precision



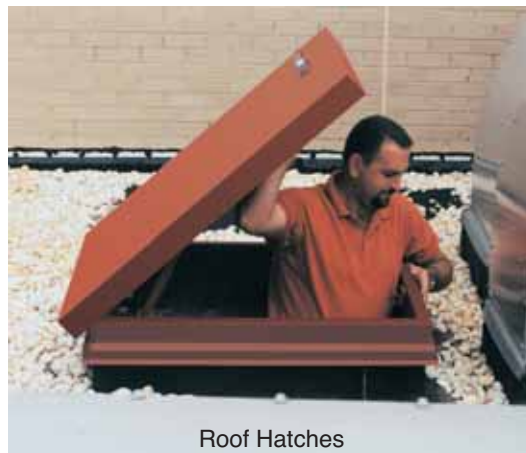
Super
Simplex
Disappearing
Stairways
with or without
2 Hour
Fire Rating



Safety Guard-Rail for Floor Openings



Ships
Ladders



Roof Hatches

Precision Ladders, LLC

www.PrecisionLadders.com



Specifications

SECTION 11 33 00

Auto Electric Disappearing Stairway

PART 1: GENERAL

1.1 SECTION INCLUDES

- A. Automatic Electric Disappearing Stairway.

1.2 REFERENCES

- A. ANSI A14.9: Safety Requirements for Ceiling Mounted Disappearing Climbing Systems.

1.3 SUBMITTALS

- A. Submit under provisions of Section 01300.
- B. Manufacturer's data sheets on each product to be used, including:
 - 1. Preparation instructions and recommendations.
 - 2. Storage and handling requirements and recommendations.
 - 3. Installation methods.
- C. Shop Drawings for Stairs:
 - 1. Plan and section of stair installation.
 - 2. Indicate rough opening dimensions for ceiling and/or roof openings.

1.4 DELIVERY, STORAGE, AND HANDLING

- A. Store stairway until installation inside under cover in manufacturer's unopened packaging. If stored outside, under a tarp or suitable cover.

1.5 WARRANTY

- A. Limited Warranty: One year against defective material and workmanship, covering parts only. Defective parts, as deemed by the manufacturer, will be replaced at no charge, freight excluded, upon inspection at manufacturer's plant.

PART 2 PRODUCTS

2.1 MANUFACTURERS

- A. Acceptable Manufacturer:
Precision Ladders, LLC,
P. O. Box 2279;
Morristown, TN 3781a
423-586-2265; Fax: 423-586-2091;
www.PrecisionLadders.com1

2.2 AUTOMATIC ELECTRIC DISAPPEARING STAIRWAY.

- A. Automatic Electric Disappearing Stairway and Components: Stairway, rail, frame, door, drive unit, motor and controls/junction box.
 - 1. Model: Model AE as manufactured by Precision Ladders LLC, P. O. Box 2279, Morristown, TN 37816; Phone: (800) 225-7814, Fax: (423) 586- 2091.
 - 2. Capacity: Unit shall support a 1000 lb (453 kg) load without failure.
 - 3. The system requires a ceiling opening of 2'-6" X 6'-0" for floor-to-floor dimensions up to 14'-0"; and 2'-6" X 7'0" for floor-to-floor dimension greater than 14'-0".

B. Accessories:

- 1. Standard toggle wall mounted switch or keyoperated switch (optional).
- 2. Battery back-up power to open the stair in the event of a power failure (standard).
- 3. Warning buzzer (optional) sounds when stairway is in motion.

C. Components:

- 1. Stairway Stringer: 7 inches by 0.230 inch (178mm by 5.8 mm) extruded aluminum channel. Steel rollers at base of each stringer. Pitch: 52 degree.
- 2. Stairway Tread: Aluminum channel 6 inches by 20-3/16 inches by 0.225 inch (152 mm by 513 mm by 5.7 mm). Nonskid safety material at walking surface.
- 3. Riser Height: 9-1/2 inches (241 mm) maximum.
- 4. Railing: Hand/guide rail 1-1/16 inches (27 mm) OD both sides, galvanized.
- 5. Frame: 1/8 inch (3 mm) steel formed channel. Height to suit total ceiling thickness.
- 6. Door: 1/8 inch (3 mm) aluminum panel. Steel piano hinge.
- 7. Drive Unit: 1/3 horsepower 246 W), 115 volt instantly reversible motor direct-connected to a reduction gear drive, complete with contactors. Pre-wired control switches. Sealed ball bearing guides. Double 1/8 inch (3 mm) aircraft cable drive.
- 8. Finishes: Mill finish on aluminum stairway components. Prime coat on frame. Galvanized handrails.

2.3 FABRICATION

- A. Completely fabricate ladder ready for installation before shipment to the site.
- B. Completely fabricate handrail components ready for field assembly to ladder before shipment to site.

PART 3: EXECUTION

3.1 EXAMINATION

- A. Do not begin installation until rough opening and structural support have been properly prepared.
- B. If substrate preparation is the responsibility of another installer, notify Architect of unsatisfactory preparation before proceeding.
- C. Examine materials upon arrival at site. Notify the carrier and manufacturer of any damage.

3.2 INSTALLATION

- A. Install in accordance with manufacturer's instructions.

3.3 PROTECTION

- A. Protect installed products until completion of project.
- B. Touch-up, repair or replace damaged products before Substantial Completion.